



2016 - 2017
Connection Systems
Professional Digital Signage Solutions

ERARD®

ESSENTIAL ACCESSORIES FOR
AUDIO VIDEO EQUIPMENT

ERARD, French manufacturer of antenna accessories since 1961, made its entry on the furniture and TV stands market in 1974 with the introduction of the first table for CRT televisions.


Since then, the company has continued to grow by developing its range of integration solutions for audiovisual equipment aimed at professionals and private individuals and marketed under three brands:

ERARD – television stands and tables, antenna accessories
ERARD Connect – connection systems
ERARD Pro – professional audiovisual equipment

Today, the company distinguishes itself by the quality and reliability of its products, spearhead of all its collections.

**2 FACTORIES: 16,000 M² IN CHAVANOZ (ISÈRE, FRANCE)
2,000 M² IN FONTENAY-LE-COMTE (VENDÉE, FRANCE)
INTEGRATED R&D AND DESIGN**

DIGITAL SIGNAGE PRO SOLUTIONS

 EXTRA LONG CABLES	4 → 11
CUSTOM INTEGRATION	12 → 15
SELECTION	16 → 28
DISTRIBUTION	29 → 39
EXTENDER VIA RJ45	40 → 57
CONVERSION	58 → 69
REMOTE CONTROL EXTENDER	70 → 71
HDMI EXTENDER VIA PLC	72 → 73
DVB-T MODULATION	74 → 75
 PRO CHARGER	76
<hr/>	
REFERENCE INDEX	78

BNC CABLES + 12V POWER SUPPLY (video surveillance)



BNC male + 12V power supply male /
BNC male + 12V power supply female
Nickel-plated connectors - Common shielding

2.00 m	Item no. (72) 7710
5.00 m	Item no. (72) 7711
10.00 m	Item no. (72) 7712
20.00 m	Item no. (72) 7713
30.00 m	Item no. (72) 7714
50.00 m	Item no. (72) 7715

- ▶ BNC contact depth: 43 mm (∅ 14 mm)
- ▶ 12V power contact depth: 40 mm (∅ 9 mm)

TOSLINK CABLES



Toslink male / Toslink male
Gold-plated connectors

0.50 m	Item no. (72) 1550
1.50 m	Item no. (72) 1552
3.00 m	Item no. (72) 1548
5.00 m	Item no. (72) 1549
10.00 m	Item no. (72) 1553
15.00 m	Item no. (72) 1554
20.00 m	Item no. (72) 1555

- ▶ Contact depth: 52 mm (∅ 13 mm)

RCA VIDEO CABLES - 75 OHM



1 RCA video male / 1 RCA video male
Gold-plated connectors - Reinforced shielding
Analogue video connection

1.50 m	Item no. (72) 7003
3.00 m	Item no. (72) 7004
5.00 m	Item no. (72) 7005
10.00 m	Item no. (72) 7006
15.00 m	Item no. (72) 7007
20.00 m	Item no. (72) 7008

- ▶ Contact depth: 50 mm (∅ 10 mm)

JACK CABLES 3.5 mm - METAL CONNECTORS



Jack 3.5 mm male / Jack 3.5 mm male
Gold-plated connectors - Reinforced shielding

2.00 m	Item no. (72) 7110
5.00 m	Item no. (72) 7111
10.00 m	Item no. (72) 7112
15.00 m	Item no. (72) 7113
20.00 m	Item no. (72) 7114
30.00 m	Item no. (72) 7115

- ▶ Contact depth: 54 mm (∅ 10 mm)

POWER CABLES



1 male plug (2-pole + earth) /
1 IEC C13 female connector
IEC power cord

1.80 m	Item no. (72) 8502
5.00 m	Item no. (72) 8518
10.00 m	Item no. (72) 8519
15.00 m	Item no. (72) 8520
20.00 m	Item no. (72) 8521

2 RCA CABLES



2 RCA male / 2 RCA male
Gold-plated connectors -
Reinforced shielding

1.50 m	Item no. (72) 7103
3.00 m	Item no. (72) 7104
5.00 m	Item no. (72) 7105
10.00 m	Item no. (72) 7106
15.00 m	Item no. (72) 7107
20.00 m	Item no. (72) 7108
30.00 m	Item no. (72) 7109

TV CABLES 9.52 mm



TV 9.52 mm male / TV 9.52 mm female + ATV Adapter 9.52 mm male / TV 9.52 mm male Gold-plated connectors - Reinforced shielding	
19VATC - With filter	
2.00 m	Item no. (72) 4631
3.00 m	Item no. (72) 4632
5.00 m	Item no. (72) 4633
10.00 m	Item no. (72) 4634

DVI / HDMI CABLES



DVI-D male / HDMI type A male Gold-plated connectors - Reinforced shielding	
1.50 m	Item no. (72) 7839
3.00 m	Item no. (72) 7840
5.00 m	Item no. (72) 7841
10.00 m	Item no. (72) 7842
15.00 m	Item no. (72) 7844

SATELLITE CABLES



"F" connector male / "F" connector male Gold-plated connectors - Reinforced shielding	
With filter	
2.00 m	Item no. (72) 5510
3.00 m	Item no. (72) 5513
5.00 m	Item no. (72) 5511
10.00 m	Item no. (72) 5512 NEW

DVI-D CABLES



DVI-D male / DVI-D male with filter Gold-plated connectors - Reinforced shielding	
2.00 m	Item no. (72) 7801
5.00 m	Item no. (72) 7803
10.00 m	Item no. (72) 7804
15.00 m	Item no. (72) 7805

POWER AMPLIFIED USB 2.0 EXTENSION CABLES



USB-A male / USB-A female Self-powered 3 x cascable USB 2.0 protocol	
5.00 m	Item no. (72) 2425
10.00 m	Item no. (72) 2426
15.00 m	Item no. (72) 2427
20.00 m	Item no. (72) 2428

► Female connector dimensions: 50 x 25 x 13 mm

DISPLAYPORT CABLES



DisplayPort male Gold-plated connectors - Reinforced shielding Version 1.2 - Safe-lock option	
2.00 m	Item no. (72) 7815
5.00 m	Item no. (72) 7816
10.00 m	Item no. (72) 7818
15.00 m	Item no. (72) 7819
20.00 m	Item no. (72) 7820 NEW

► Female connector dimensions: 60 x 20 x 12 mm

RJ45 CABLES CAT 5e FTP EFFICIENT



4 twisted pairs Common shield (aluminium) 100 MHz	
0.50 m	Item no. (72) 2375
1.00 m	Item no. (72) 2376
2.00 m	Item no. (72) 2378
2.00 m (blue)	Item no. (72) 2390
2.00 m (red)	Item no. (72) 2391
5.00 m	Item no. (72) 2396

RJ45 CABLES CAT 6 FTP PERFORM

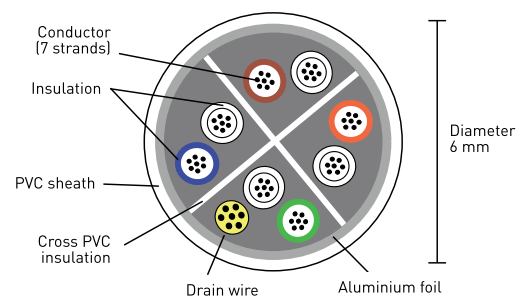
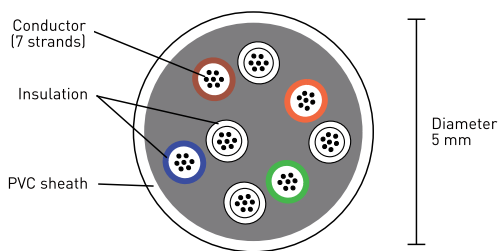


4 twisted pairs - Common shield (alu.) 250 MHz	
0.50 m	Item no. (72) 2365
1.00 m	Item no. (72) 2366
2.00 m	Item no. (72) 2367
5.00 m	Item no. (72) 2368
10.00 m	Item no. (72) 2369
15.00 m	Item no. (72) 2370
20.00 m	Item no. (72) 2354 NEW

RJ45 CABLES CAT 5e UTP EFFICIENT



4 twisted pairs 100 MHz	
0.50 m	Item no. (72) 2298
1.00 m	Item no. (72) 2299
2.00 m	Item no. (72) 2301
3.00 m (red)	Item no. (72) 2315
5.00 m	Item no. (72) 2303
10.00 m	Item no. (72) 2304
15.00 m	Item no. (72) 2305
20.00 m	Item no. (72) 2306



Features and performance

Conductivity ★☆☆☆

Shielding ★☆☆☆

Flexibility ★★★★★

Recommended applications Internet browsing, broadband (home network)

Warranty 2 years

Features and performance

Conductivity ★★★★★

Shielding ★★★★★

Flexibility ★★★★★

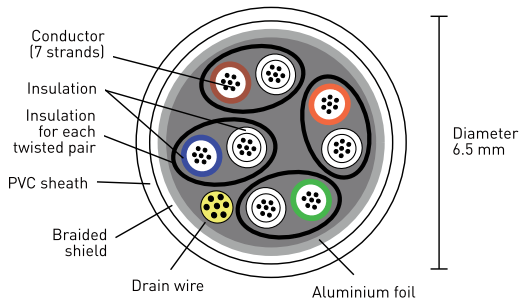
Recommended applications Very high speed Ethernet connection (home network)
Connection of TV receiver and ADSL router

Warranty 5 years

RJ45 CABLES CAT 6 SSTP PERFORM+



4 twisted pairs - Individual shields Common shield (aluminium) + braid 250 MHz	
0.50 m	Item no. (72) 2355
1.00 m	Item no. (72) 2356
2.00 m	Item no. (72) 2358
3.00 m	Item no. (72) 2359
5.00 m	Item no. (72) 2360
10.00 m	Item no. (72) 2362
15.00 m	Item no. (72) 2363
20.00 m	Item no. (72) 2364
30.00 m	Item no. (72) 2380
40.00 m	Item no. (72) 2381
50.00 m	Item no. (72) 2382



Features and performance

Conductivity	★ ★ ★ ★
Shielding	★ ★ ★ ★
Flexibility	★ ★ ★ ★

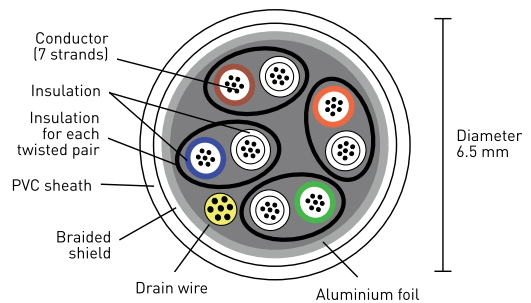
Recommended applications
Very high speed Ethernet connection (tertiary / industrial network)
Connection of professional computer peripherals

Warranty 10 years

RJ45 CABLES CAT 6a SSTP IMMUNITY



4 twisted pairs - Individual shields Common shield (aluminium) + braid 500 MHz	
40.00 m	Item no. (72) 2385 NEW
50.00 m	Item no. (72) 2388
60.00 m	Item no. (72) 2386 NEW
80.00 m	Item no. (72) 2387



Features and performance

Conductivity	★ ★ ★ ★
Shielding	★ ★ ★ ★
Flexibility	★ ★ ★ ★

Recommended applications
Connection of industrial computer peripherals
Recommended for connections which allow to extend signals
Digital audio/video:
Example: ERARD CONNECT extenders item no. 7984, 7976...

Warranty Lifetime

VGA CABLES (HD15) EFFICIENT

15 PIN CONNECTION



VGA male / VGA male Nickel-plated connectors	
1.20 m	Item no. (72) 2630

VGA CABLES (HD15) PERFORM

15 PIN CONNECTION



VGA male / VGA male Gold-plated connectors - Reinforced shielding Cable with filter	
2.00 m	Item no. (72) 7502
3.00 m	Item no. (72) 7504
5.00 m	Item no. (72) 7505
10.00 m	Item no. (72) 7506
15.00 m	Item no. (72) 7508
20.00 m	Item no. (72) 7509
30.00 m	Item no. (72) 7510

► Connector dimensions: 52 × 35 × 15 mm

VGA CABLE (HD15) MALE / FEMALE PERFORM

15 PIN CONNECTION



VGA male / VGA female Gold-plated connectors - Reinforced shielding Cable with filter	
2.00 m	Item no. (72) 7515
5.00 m	Item no. (72) 7517
10.00 m	Item no. (72) 7518
15.00 m	Item no. (72) 7519
20.00 m	Item no. (72) 7520
30.00 m	Item no. (72) 7521

► Connector dimensions: 52 × 35 × 15 mm

Features and performance

Conductivity ★ ★ ★ ★

Shielding ★ ★ ★ ★

Flexibility ★ ★ ★ ★

Recommended applications Linking of a central unit to a computer monitor...

Warranty 2 years

Features and performance

Conductivity ★ ★ ★ ★

Shielding ★ ★ ★ ★

Flexibility ★ ★ ★ ★

Recommended applications Meeting rooms, digital signage installations, leisure facilities, industrial monitors...

Warranty 5 years

VGA CABLES (HD15) PERFORM+ JACK 3.5 mm



VGA male + jack 3.5 mm male /
VGA male + jack 3.5 mm male
Gold-plated connectors - Reinforced shielding
Cable with filter

0.80 m	Item no. (72) 7530
2.00 m	Item no. (72) 7531
3.00 m	Item no. (72) 7532
5.00 m	Item no. (72) 7533
10.00 m	Item no. (72) 7534
15.00 m	Item no. (72) 7535
20.00 m	Item no. (72) 7536
30.00 m	Item no. (72) 7537
50.00 m	Item no. (72) 7538

► Connector dimensions: 52 × 35 × 15 mm

VGA CABLES (HD15) FLEX



VGA male / VGA male
Nickel-plated connectors - 15 pin connection
Cable with filter
Ultra-flexible sheath
for easy handling,
ideal for meeting rooms.

0.80 m	Item no. (72) 7547
2.00 m	Item no. (72) 7550
5.00 m	Item no. (72) 7552
10.00 m	Item no. (72) 7553
15.00 m	Item no. (72) 7554

► Connector dimensions: 38 × 34 × 16 mm

Features and performance

Conductivity ★★☆☆

Shielding ★★☆☆

Flexibility ★★☆☆

Recommended applications
Meeting rooms, digital signage installations, leisure facilities, industrial monitors...

Warranty 10 years

Features and performance

Conductivity ★★☆☆

Shielding ★★☆☆

Flexibility ★★★★★

Recommended applications
Meeting rooms, false ceiling installations or other cable passages with significant constraints on the radius of curvature, digital signage connection with thin client...

Warranty Lifetime



HDMI 1.4 CABLES EFFICIENT

Ultra HD 4K



Type A male / Type A male
Nickel-plated connectors
HDMI HIGH SPEED WITH ETHERNET

0.75 m	Item no. (72) 2724
1.20 m	Item no. (72) 2726
1.50 m	Item no. (72) 2725
1.80 m	Item no. (72) 2729

▶ Connector dimensions: 47 × 20 × 13 mm

BULK OFFERS

1st PRICE

Type A male / Type A male
Nickel-plated connectors
HDMI HIGH SPEED WITH ETHERNET
Bulk offer for a full box of cables

1.20 m	Item no. (72) X2726
--------	---------------------



Type A male / Type A male
Nickel-plated connectors
HDMI HIGH SPEED WITH ETHERNET
Bulk offer for a full box of cables

1.50 m	Item no. (72) X2725
--------	---------------------

Features and performance

Conductivity



Shielding



Flexibility



Recommended applications

DVD player, TV receiver via ADSL router...

Warranty

2 years



HDMI 1.4 CABLES PERFORM

Ultra HD 4K



Type A male / Type A male
Gold-plated connectors - Reinforced shielding
HDMI HIGH SPEED WITH ETHERNET

0.80 m	Item no. (72) 7878
1.20 m	Item no. (72) 7879
1.50 m	Item no. (72) 7877 NEW
2.00 m	Item no. (72) 7880
3.00 m	Item no. (72) 7881
5.00 m	Item no. (72) 7882
10.00 m	Item no. (72) 7883
15.00 m	Item no. (72) 7854
20.00 m	Item no. (72) 7855

▶ Connector dimensions: 45 × 19 × 13 mm

AMPLIFIED HDMI 1.4 CABLES PERFORM

Full HD 1080p



Type A male / Type A male
Gold-plated connectors - Reinforced shielding
HDMI HIGH SPEED WITH ETHERNET
Integrated adjustable amplifier

25.00 m	Item no. (72) 7868
30.00 m	Item no. (72) 7869
35.00 m	Item no. (72) 7843

- ▶ Amplifier dimensions: 83 × 25 × 14 mm
- ▶ Ideal for a long point-to-point connection.
- ▶ Direction of connection: the amplifier must be downstream of the connection (closest to the TV screen or the projector)

Features and performance

Conductivity



Shielding



Flexibility



Recommended applications

Blu-ray player, satellite receiver, computer, video projector for large audiences, TV display podium...

Warranty

5 years



HDMI 1.4 CABLES FLEX

Ultra HD 4K



Type A male / Type A male Gold-plated connectors - Reinforced shielding HDMI HIGH SPEED WITH ETHERNET Ultra-flexible sheath	
0.80 m	Item no. (72) 6827
1.20 m	Item no. (72) 6828
1.50 m	Item no. (72) 6829
2.00 m	Item no. (72) 6830
3.00 m	Item no. (72) 6831
5.00 m	Item no. (72) 6832
10.00 m	Item no. (72) 6833
15.00 m	Item no. (72) 6834
20.00 m	Item no. (72) 6835

▶ Connector dimensions: 52 × 20 × 13 mm



HDMI 1.4 CABLES IMMUNITY

Ultra HD 4K



Type A male / Type A male Gold-plated connectors - Reinforced shielding HDMI HIGH SPEED WITH ETHERNET	
0.80 m	Item no. (72) 7823
1.20 m	Item no. (72) 7849
1.50 m	Item no. (72) 7824
2.00 m	Item no. (72) 7825
3.00 m	Item no. (72) 7851
5.00 m	Item no. (72) 7852
10.00 m	Item no. (72) 7853
15.00 m	Item no. (72) 7864
20.00 m	Item no. (72) 7865

▶ Connector dimensions: 52 × 21 × 10 mm

AMPLIFIED HDMI 1.4 CABLES FLEX

Full HD 1080p



Type A male / Type A male Gold-plated connectors - Reinforced shielding HDMI HIGH SPEED WITH ETHERNET 5V power supply from a 1m USB cable (connected to the HDMI OUT jack) for connection to a 5V USB port on the display or to the supplied 230V USB charger	
25.00 m	Item no. (72) 6836
30.00 m	Item no. (72) 6837
35.00 m	Item no. (72) 6838
40.00 m	Item no. (72) 6839
50.00 m	Item no. (72) 6840
60.00 m	Item no. (72) 6841

- ▶ Ideal for a long point-to-point connection.
- ▶ Direction of connection: the amplifier must be downstream of the connection (closest to the TV screen or the projector)

Features and performance

Conductivity ★★★★★

Shielding ★★★★★

Flexibility ★★★★★

Recommended applications
Meeting rooms, false ceiling installations or other cable passages with significant constraints on the radius of curvature...

Warranty 10 years

Features and performance

Conductivity ★★★★★

Shielding ★★★★★

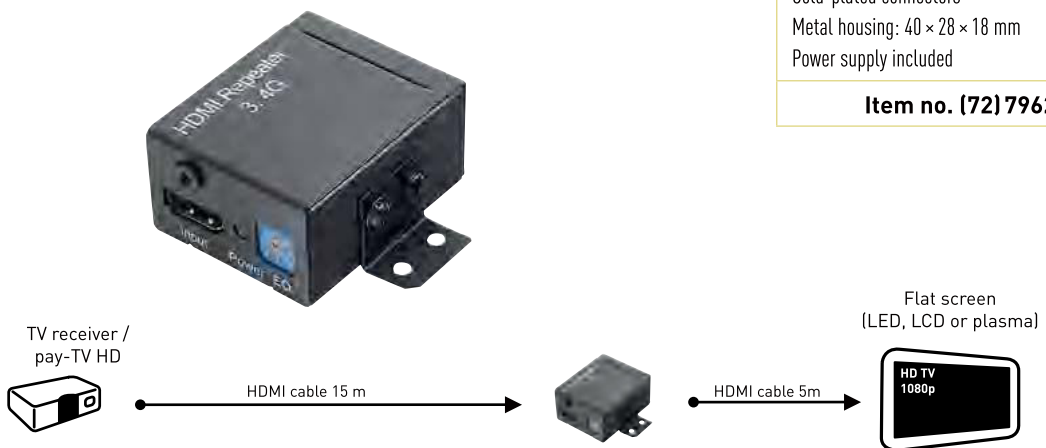
Flexibility ★★★★★

Recommended applications
Hard drive with native 4K content, 60 fps HD sources and displays, 4K Blu-ray player, HD satellite receiver, computer, professional video projector, HDTV video wall, professional digital signage installation with thin client...

Warranty Lifetime

ADJUSTABLE HDMI AMPLIFIER

Offers solution for an extra long HDMI connection (between 5 and 15 metres) which is subject to recurrent disturbances (frozen image, mosaic, loss of sound...).



Input: 1 HDMI
Output: 1 HDMI
Gold-plated connectors
Metal housing: 40 × 28 × 18 mm
Power supply included

Item no. (72) 7962

HDMI ADAPTERS



Flexible adapter
HDMI male / HDMI female
Gold-plated connectors - 5 cm

Item no. 7910



HDMI adapter, left elbow
Male / female - gold

Item no. (72) 7901



HDMI adapter, right elbow
Male / female - gold

Item no. (72) 7902



HDMI male 90° elbow/
HDMI female - gold
Overall dimensions: 26 mm

Item no. (72) 7908



HDMI female / HDMI female
Gold-plated connectors

Item no. (72) 7904



HDMI 90° elbow type A male /
type A female
Gold-plated connectors - 15 cm

Item no. (72) 7915



Mini HDMI (type C) male /
HDMI type A female
Gold-plated connectors

Item no. (72) 7912



Micro HDMI (type D) male /
HDMI type A female
Gold-plated connectors

Item no. (72) 7913

NEW HDMI 5V POWER INJECTOR

Allows an HDMI connection to be supplied with 5V if the source is without power on the HDMI output (more and more TV receivers via the ADSL router as well as pay-TV receivers are affected by this problem). This 5V injector with its amplifier integrated in the HDMI jack also provides a solution for extra long HDMI connections (between 5 and 15 metres) which are subject to recurrent disturbances (frozen image, mosaic, loss of sound, etc.).

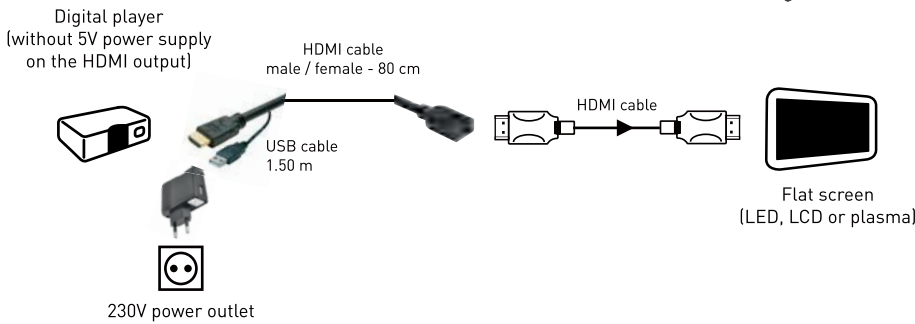


HDMI cable male / female - 80cm

5V power supply from a 1.5m USB cable (connected to the HDMI OUT jack) for connection to a 5V USB port on the display or to the supplied 230V USB power supply.

Power supply included

Item no. (72) 6826



NEW HDMI SOLDER CONNECTOR

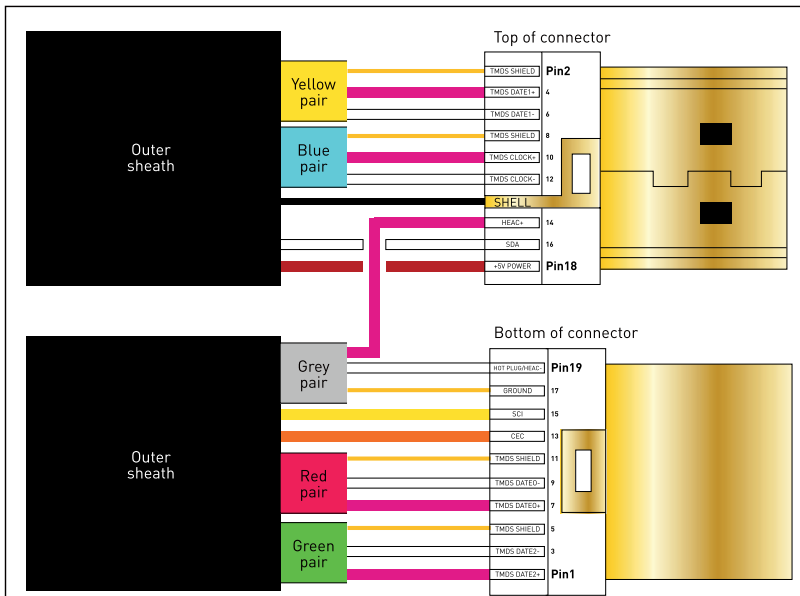


- Consisting of:
- 1 HDMI connector with 20 solder contacts
- 1 metal double casing
- 1 PVC sleeve - diameter 8 mm inside
- 2 screws

Item no. (72) 7914

WIRING PLAN

Only compatible with HDMI PERFORM cables supplied by ERARD CONNECT (see page 10) as well as wiring HDMI cable coil item no. 7885 (see page 14).



WIRING FOR HDMI WALL PLATE



HDMI cable 1.4 - 26 AWG
Diameter 8 mm
100 m **Item no. (72) 7885**



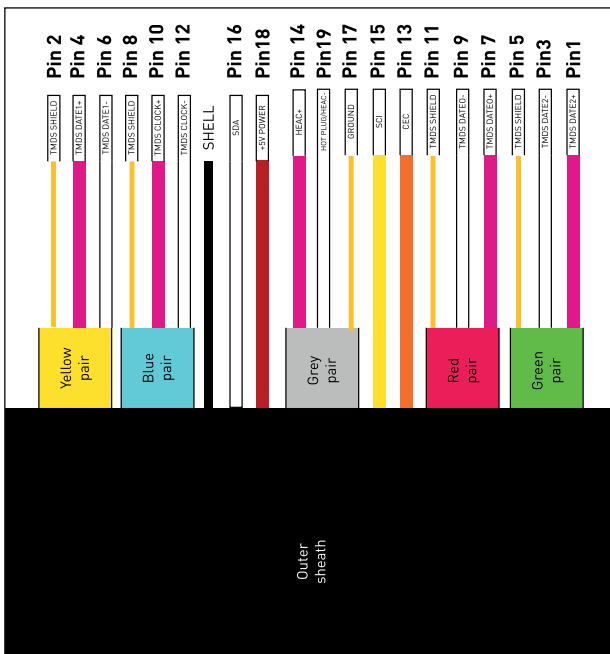
Wall plate HDMI 45 x 45 mm
Screw terminal block (20 contacts)
Item no. (72) 2801

▶ Depth: 39 mm



WIRING PLAN

Only compatible with HDMI PERFORM and IMMUNITY cables supplied by ERARD CONNECT (see page 10 and 11) as well as the wiring HDMI cable coil item no. 7885 (see page 14).



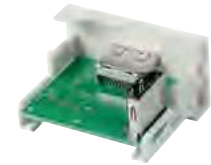
WALL PLATES 45 x 22.5 mm



Front: HDMI type A female
Relay: HDMI type A F 90°
Direct connection with HDMI cables male / male

Item no. (72) 2810

▶ Depth: 34 mm



VGA - 15 contacts - Screw terminal block

Item no. (72) 2805

▶ Depth: 48 mm



White front - 45 x 22.5 mm

Item no. (72) 2827

PRE-WIRED WALL PLATES 45×22.5 mm

PRE-WIRED WALL PLATES 45×45 mm



HDMI 1.4 single-gang wall plate
Female connector 5 cm

NEW

Item no. (72) 2832



HDMI 1.4 wall plate
Female connector 5 cm

Item no. (72) 2802



VGA single-gang wall plate (15-pin)
Female connector 5 cm

NEW

Item no. (72) 2833



USB 2.0 wall plate
Female connector 5 cm

Item no. (72) 2804



VGA wall plate (15-pin)
+ stereo jack 3.5 mm
Female connector 5 cm

Item no. (72) 2803



USB 3.0 single-gang wall plate
Female connector 5 cm

NEW

Item no. (72) 2834



HDMI wall plate × 2
HDMI connectors female / female
15 cm
Fixing screws provided

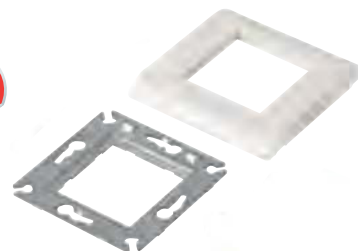
Item no. (72) 2812



Stereo jack 3.5 mm single-gang
wall plate
Female connector 5 cm

NEW

Item no. (72) 2835



Wall outlet frame
Exterior dimensions: 80 × 80 mm
Interior dimensions: 45 × 45 mm

NEW

Item no. (72) 2860

HDMI SWITCH 3 to 1

Allows you to alternately select one source from three on a single display (video projector, HDTV screen...).

**Full HD
1080p**

Input: 3 HDMI Output: 1 HDMI Gold-plated connectors Remote control selection Dim.: 160 × 70 × 20 mm Power supply included
Item no. (72) 7982



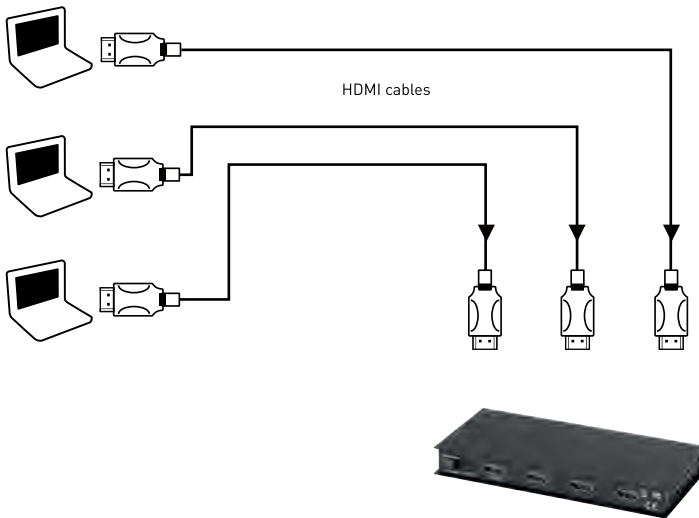
Rear view



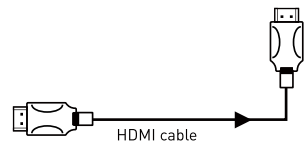
Front view



Laptops



Video projector



HDMI SWITCH 4 to 1 + SD and HD AUDIO EXTRACTION

Allows you to alternately select one source from four on a single display (video projector, HDTV screen...). In addition, audio extraction makes it possible to use the audio stream on an amplifier in parallel with the video stream.

**Ultra HD
4K**

**Audio
extraction**

Input: 4 HDMI
 Output: 1 HDMI
 1 Toslink
 1 jack 3.5 mm
 Gold-plated connectors
 Remote control selection
 Dim.: 180 × 110 × 28 mm
 Power supply included

Item no. (72) 7981



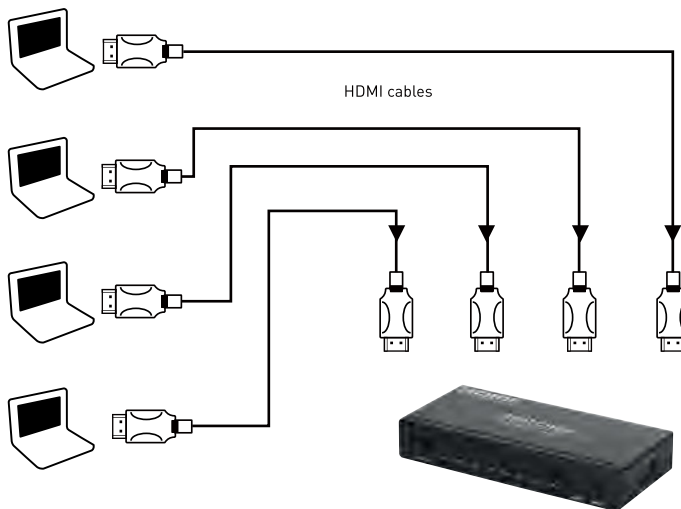
Rear view



Front view

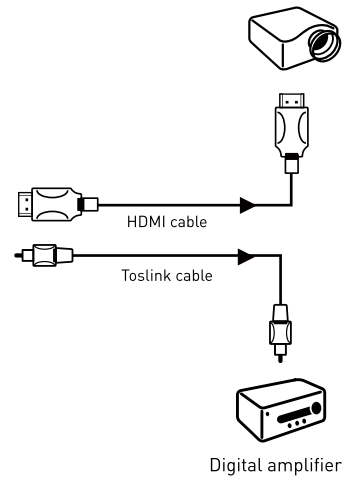


Laptops



HDMI cables

Video projector



Digital amplifier

NEW HDMI SWITCH 8 to 1

Allows you to alternately select one source from eight on a single display (video projector, HDTV screen...).

**Full HD
1080p**

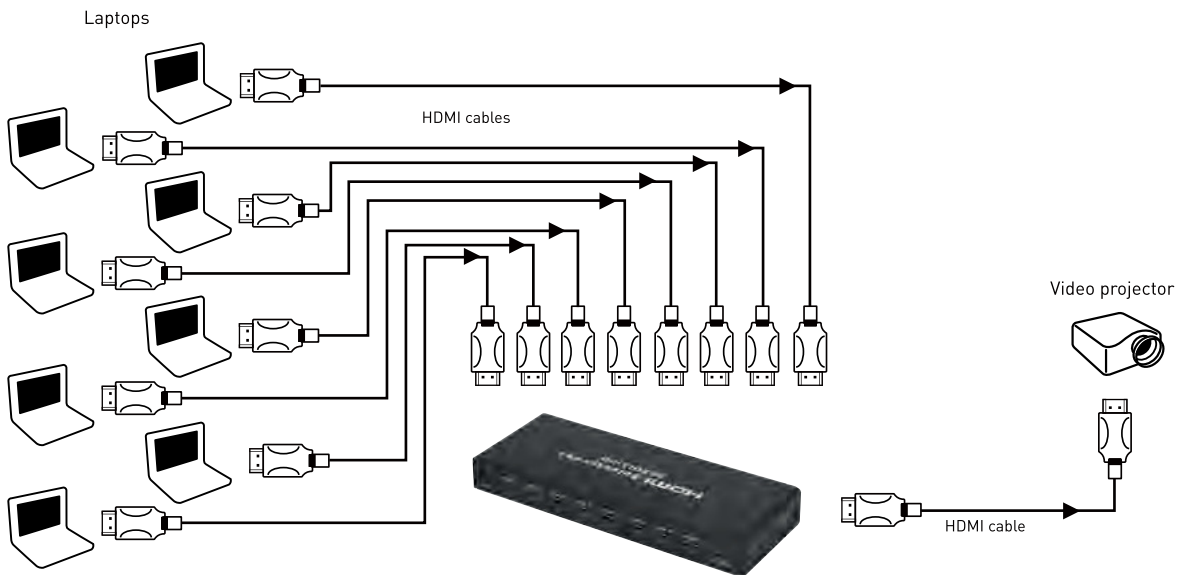
Input: 8 HDMI
Output: 1 HDMI
Gold-plated connectors Remote control selection Dim.: 210 × 95 × 30 mm Power supply included
Item no. (72) 7988



Rear view



Front view



NEW

HDMI MATRIX 6 to 2 + SD AND HD AUDIO EXTRACTION

Allows simultaneous connection of six digital audio/video sources on the same distribution box. The source is selected independently on each of the two outputs. In addition, audio extraction and audio format adjustment make it possible to use the audio stream on an amplifier in parallel with the video stream.

**Ultra HD
4K**

**Audio
extraction**

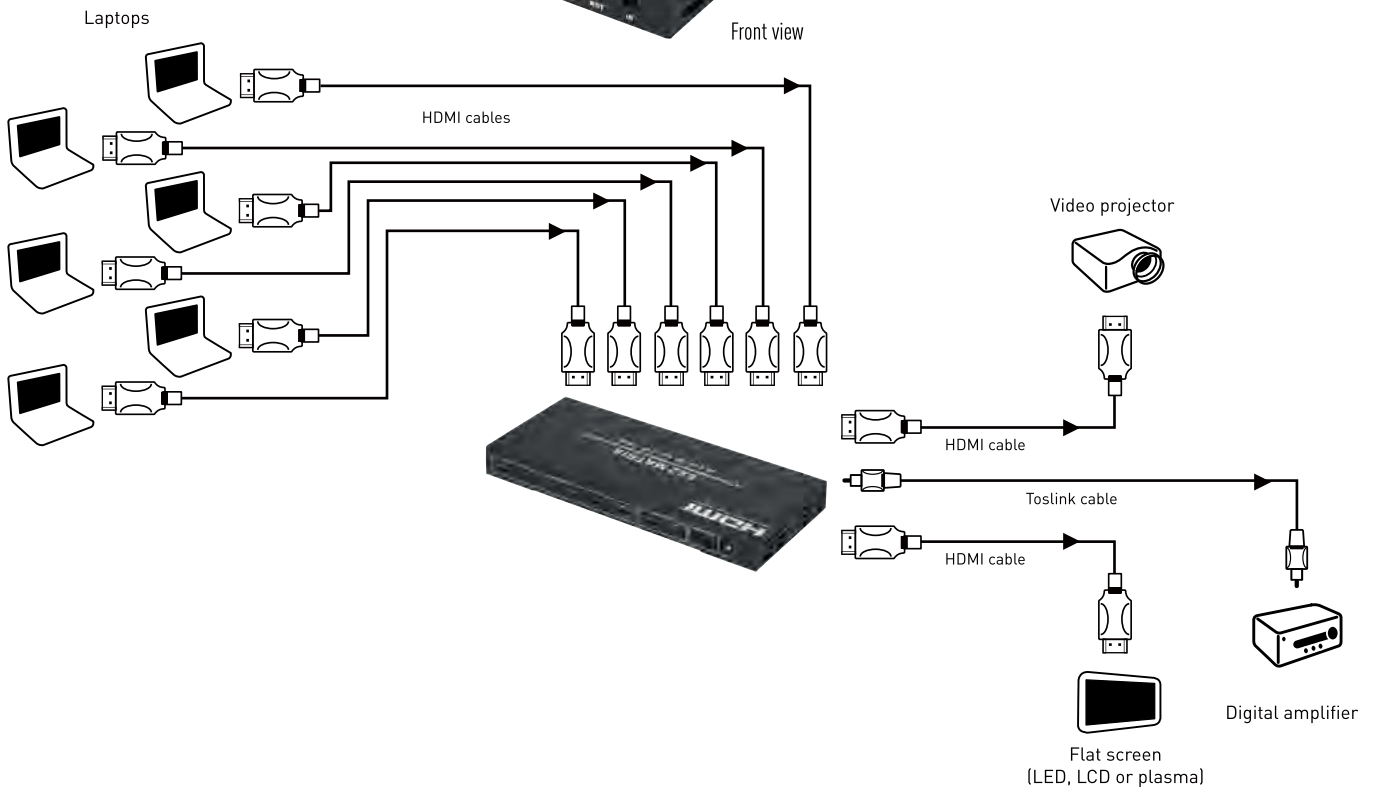
Input: 6 HDMI
 Output: 2 HDMI
 1 Toslink
 1 jack 3.5 mm
 Remote control selection
 Adjustable audio output: 2.0CH, 5.1CH, 5.1CH, 7.1CH
 (compatible with PCM2, 5.1, 7.1, Dolby 5.1, DTS 5.1, D-TrueHD, DTS-HD)
 ARC compatible
 Picture in Picture function
 Gold-plated connectors
 Dim.: 250 × 110 × 26 mm
 Power supply included
Item no. (72) 6978



Rear view



Front view



HDMI MATRIX 2 to 2 + EDID Manager

Allows simultaneous connection of two digital audio/video sources on the same distribution box. The source is selected independently on each of the two outputs. In addition, the EDID Manager helps avoid compatibility conflicts between devices because the resolutions encoded by the four switches (13 possible combinations) freeze the audio and video information transferred by the source.

Ultra HD
4K

EDID
Manager

Input: 2 HDMI

Output: 2 HDMI

Selection by selection key or remote control

Gold-plated connectors

Dim.: 441 × 202 × 45 mm

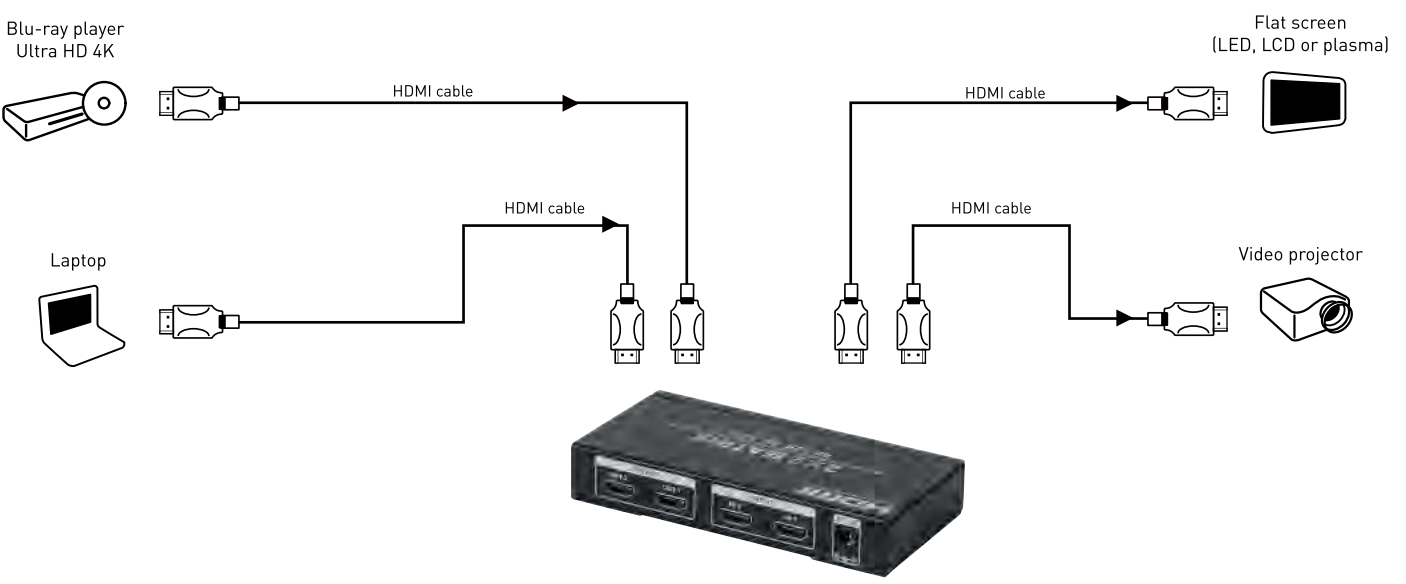
Power supply included

Item no. (72) 6975

EDID MANAGER	
13 possible settings	Resolutions
0000	1080p / 2CH AUDIO
0001	1080p / DOLBY DTS 5.1
0010	1080p / HD AUDIO 7.1
0011	1080i / 2CH AUDIO
0100	1080i / DOLBY DTS 5.1
0101	1080i / HD AUDIO 7.1
0110	3D / 2CH AUDIO
0111	3D / DOLBY DTS 5.1
1000	3D / HD AUDIO 7.1
1001	4K at 30 fps / 2CH AUDIO
1010	4K at 30 fps / DOLBY DTS 5.1
1011	4K at 30 fps / HD AUDIO 7.1
1111	Automatic EDID



DIGITAL SIGNAGE PRO SOLUTIONS



HDMI MATRIX 4 to 4 + EDID Manager

Allows simultaneous connection of four digital audio/video sources on the same distribution box. The source is selected independently on each of the four outputs. In addition, the EDID Manager helps avoid compatibility conflicts between devices because the resolutions encoded by the four switches (16 possible combinations) freeze the audio and video information transferred by the source.

- Ultra HD
4K
- EDID
Manager
- Remote
control
transfer



Rear view



Front view



Input: 4 HDMI
1 RS-232
2 IR jack

Output: 4 HDMI
2 IR jack

Selection by selection key,
remote control or via RS-232

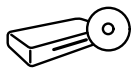
Remote control transfer

Gold-plated connectors
Dim.: 441 × 202 × 45 mm
Power and IR cell supplied

Item no. (72) 6977

EDID MANAGER	
16 possible settings	Resolutions
0000	Automatic EDID
0001	1080i / 2CH AUDIO
0010	1080i / DOLBY DTS 5.1
0011	1080i / HD AUDIO 7.1
0100	1080p / 2CH AUDIO
0101	1080p / DOLBY DTS 5.1
0110	1080p / HD AUDIO 7.1
0111	3D / 2CH AUDIO
1000	3D / DOLBY DTS 5.1
1001	3D / HD AUDIO 7.1
1010	4K à 30 ips / 2CH AUDIO
1011	4K à 30 ips / DOLBY DTS 5.1
1100	4K à 30 ips / HD AUDIO 7.1
1101	DVI 1024×768
1110	DVI 1920×1080
1111	EDID via RS-232

Blu-ray player
Ultra HD 4K



Laptop no. 1



Central unit

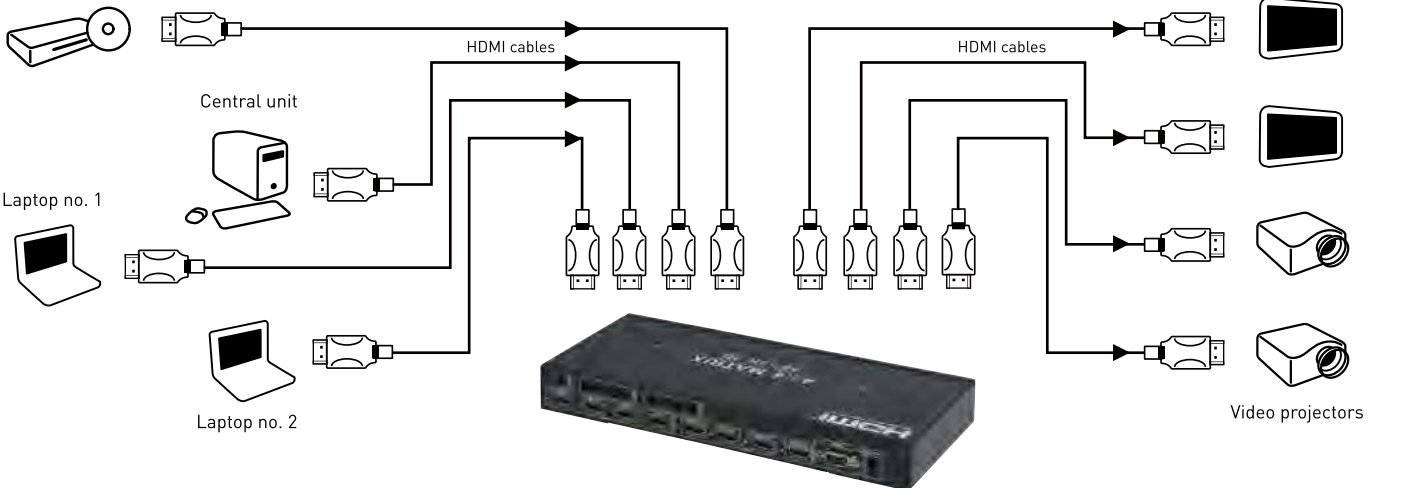


Laptop no. 2

Flat screens
(LED, LCD or plasma)



Video projectors



VGA SWITCH 4 to 1

Allows you to alternately select a computer source from four on a single display (video projector, HDTV screen...).

Input: 4 VGA
 Output: 1 VGA
 Video resolution: up to 1920 × 1200
 Bandwidth: 250 MHz
 Remote control selection
 Dim.: 208 × 94 × 43.5 mm
 Power supply included

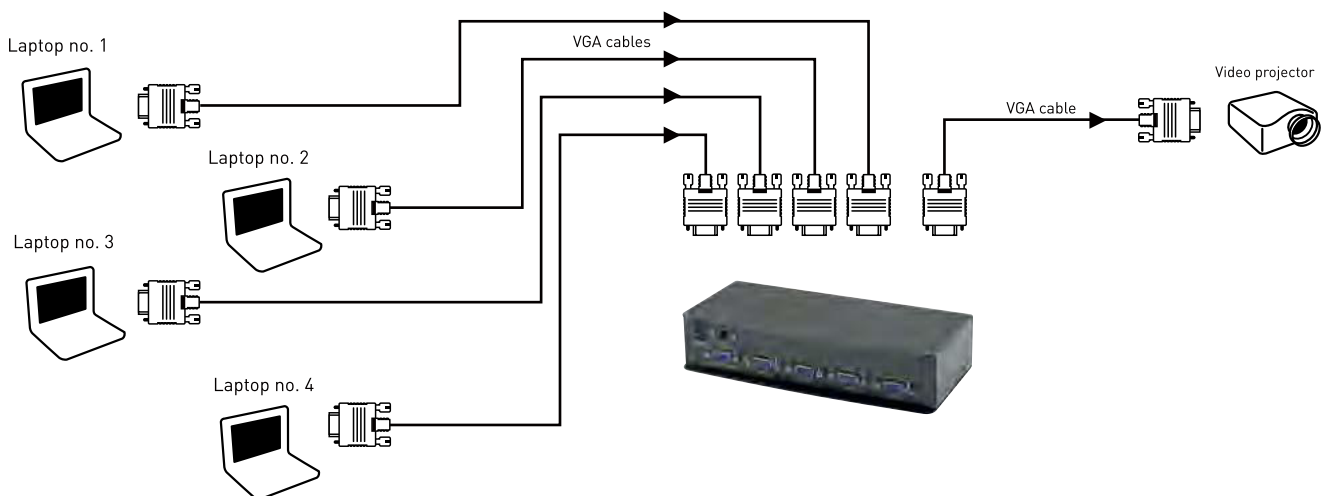
Item no. (72)7704



Rear view



Front view



NEW VGA SWITCH 8 to 1

Allows you to alternately select a computer source from eight on a single display (video projector, HDTV screen...).

Input: 8 VGA
 Output: 1 VGA
 Video resolution: up to 1920 × 1200
 Bandwidth: 250 MHz
 Remote control selection
 Dim.: 210 × 95 × 45 mm
 Power supply included

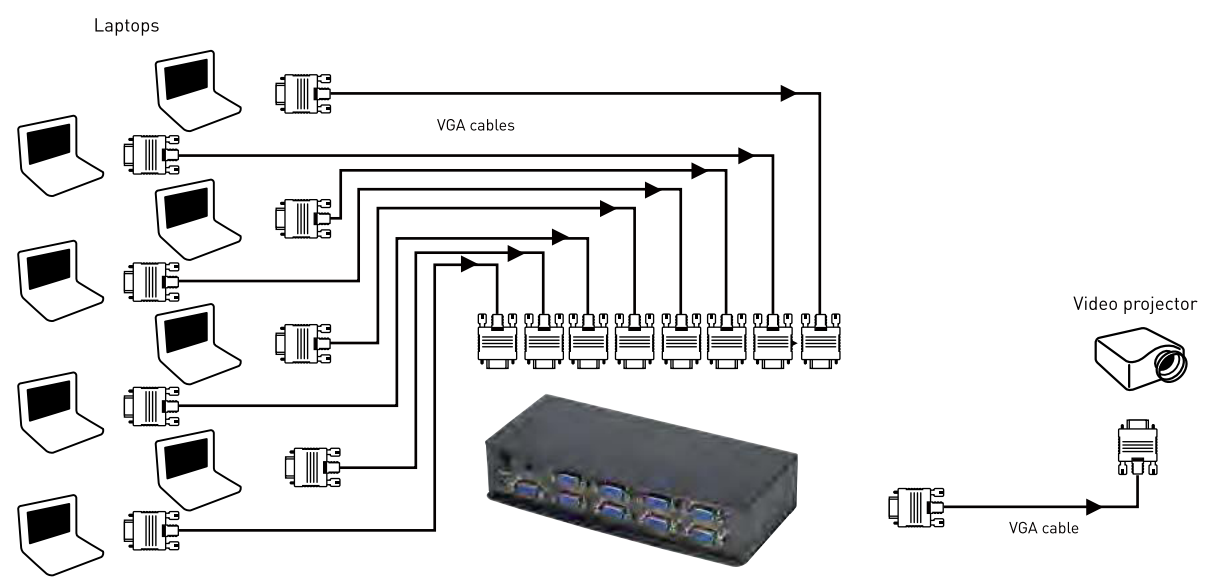
Item no. (72) 7718



Rear view



Front view



NEW

ADJUSTABLE ANALOGUE AUDIO PREAMPLIFIER – 2 INPUTS

Improves sound quality and amplifies the output volume of an analogue audio source. The selector is used to alternately select the audio stream to be played: either source no. 1 or source no. 2.

ESD
protection

Volume
controller

Input: 2 RCA (Phono - Gain: 40 dB)
2 RCA (Aux - Gain: 6 dB)

Output: 2 RCA (amplifier)

Volume adjustable by potentiometer
Housing can be connected to earth
to avoid disturbances

Metal housing: 145 × 96 × 30 mm
Compact size for easy installation
Power supply included

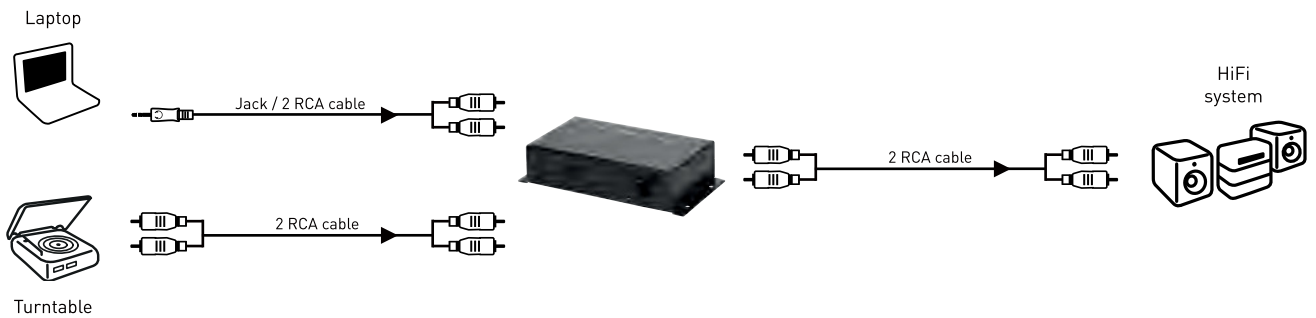
Item no. (72) 1920



Rear view



Front view



NEW

ADJUSTABLE ANALOGUE AUDIO AMPLIFIER – 2 INPUTS

Improves sound quality and amplifies the output volume of an analogue audio source. The selector is used to alternately select the audio stream to be played: either the playback source (jack 3.5 mm) or the microphone (jack 6.35 mm).

Volume controller

Input: 1 jack 3.5 mm
1 jack 6.35 mm (microphone jack)

Output: 4 screw terminal blocks for speaker cable (compatible from 24 to 12 AWG)

Gain: 40 dB
Volume adjustable by potentiometer
Output power: 15W RMS per channel
THD+N: 0.06% (@ RL = 8 ohm, F = 1 KHz)
RJ45 jack can be used to connect a remote volume controller

Metal housing: 115 × 98 × 30 mm
Compact size for easy installation
Power supply included

Item no. (72) 1921

CONNECT DIRECTLY TO THE SPEAKERS



Rear view



Front view



NEW

DEMO SWITCH FOR SOUND BARS 1 to 5

Allows you to connect up to five sound bars to a single stereo audio source and to select between different sound bar models in order to appreciate differences in acoustic rendering. Ideal for use in an auditorium where the seller can use his upselling skills to present the products exposed and thus help the end customer make his choice.

Input: 1 × 2 RCA

Output: 5 × 2 RCA

Key selection
Dim.: 210 × 95 × 45 mm
Self-powered

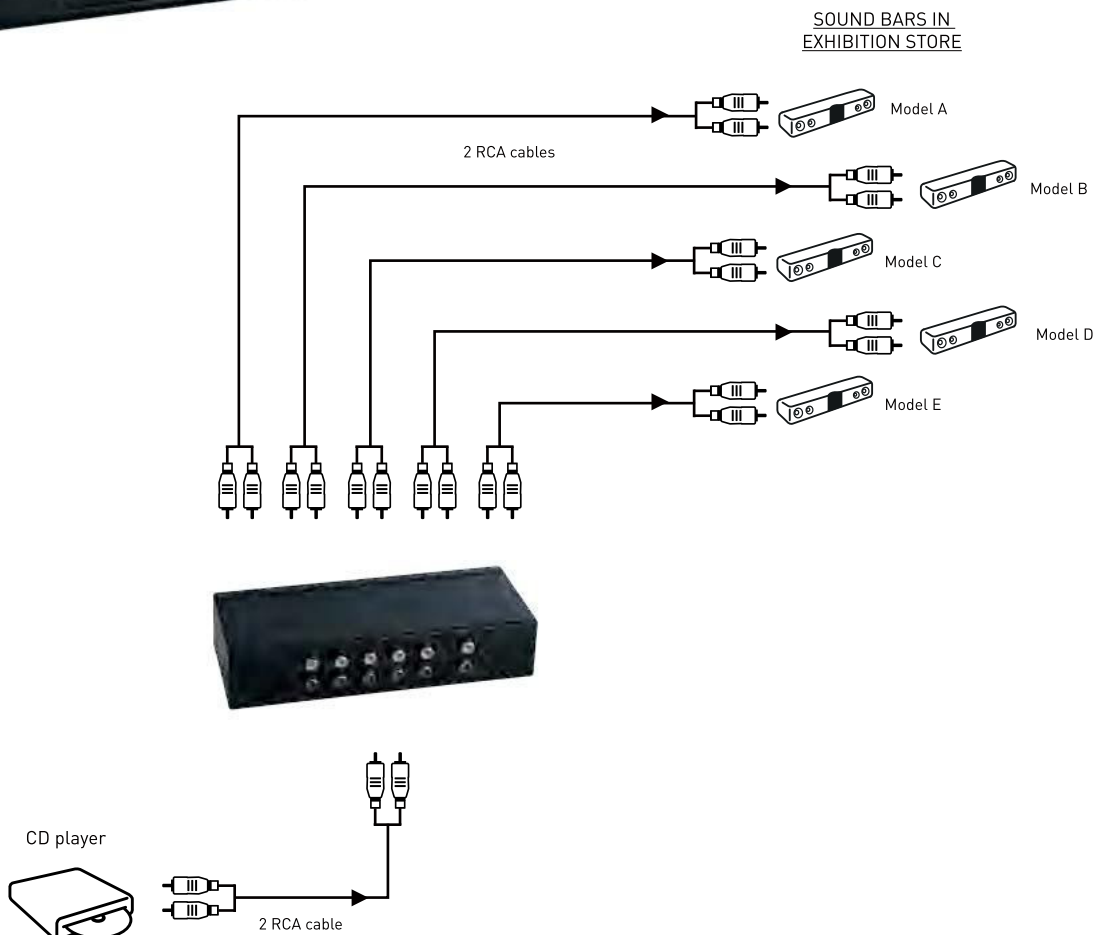
Item no. (72) 1915



Rear view



Front view



NEW

DEMO SWITCH FOR SPEAKERS 1 to 6

Allows you to connect up to six pairs of speakers to a single stereo audio amplifier and to select between different speaker models in order to appreciate differences in acoustic rendering. Ideal for use in an auditorium where the seller can use his upselling skills to present the products exposed and thus help the end customer make his choice.

ESD protection



Rear view



Front view

Input: 4 speaker terminals

Output: 24 speaker terminals

Selection by selection keys

Power per channel: 150 W

Frequency response: +/- 0.1 dB from 20 Hz to 20 KHz

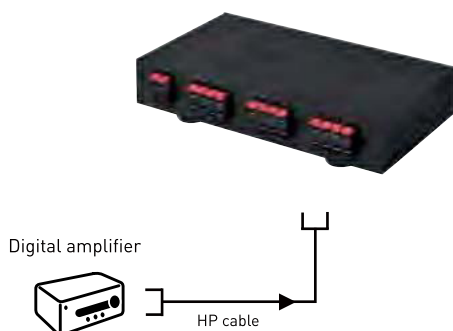
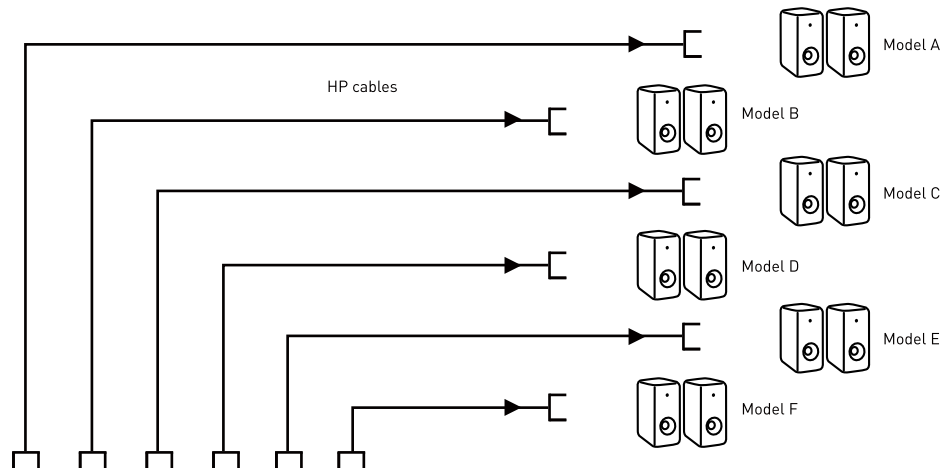
ESD protection

Dim.: 290 x 170 x 60 mm

Self-powered

Item no. (72) 1916

SPEAKERS IN EXHIBITION STORE



TOSLINK SWITCH 4 to 1

Allows you to alternately select one source from four on a single audio streamer (amp, sound bar, home cinema...).



Rear view

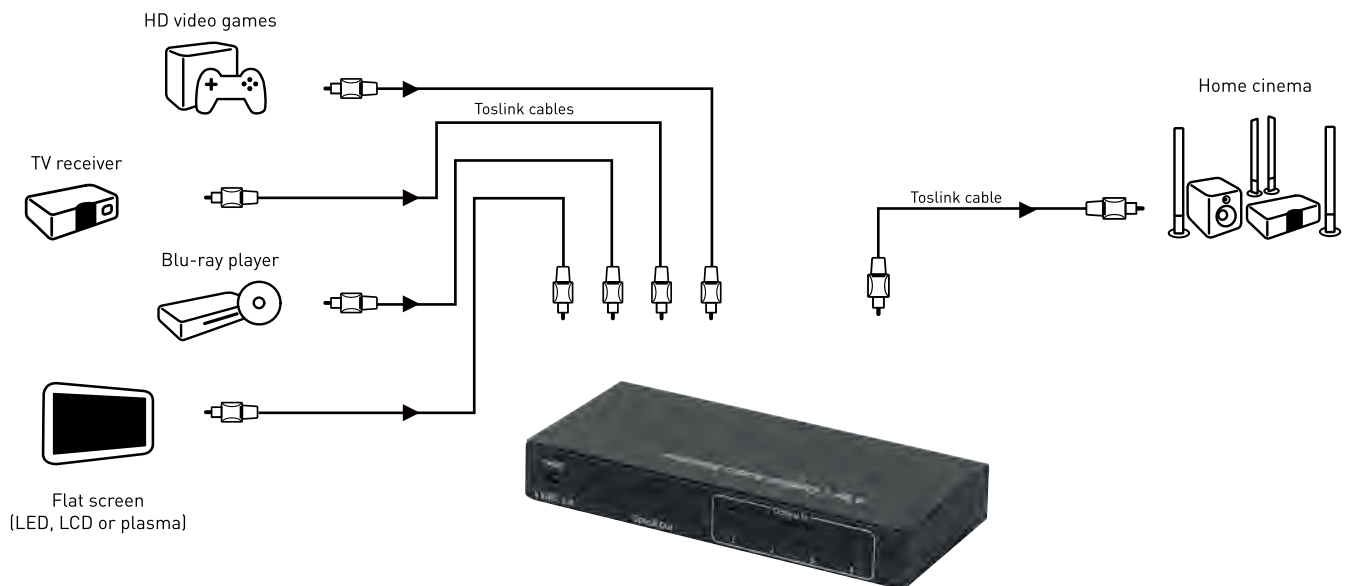


Front view

Input: 4 TOSLINK
Output: 1 TOSLINK

Max. frequency: 192 KHz
Audio formats: LnPCM, Dolby 5.1 & DTS 5.1
Remote control selection
Dim.: 154 × 69 × 22 mm
Power supply included

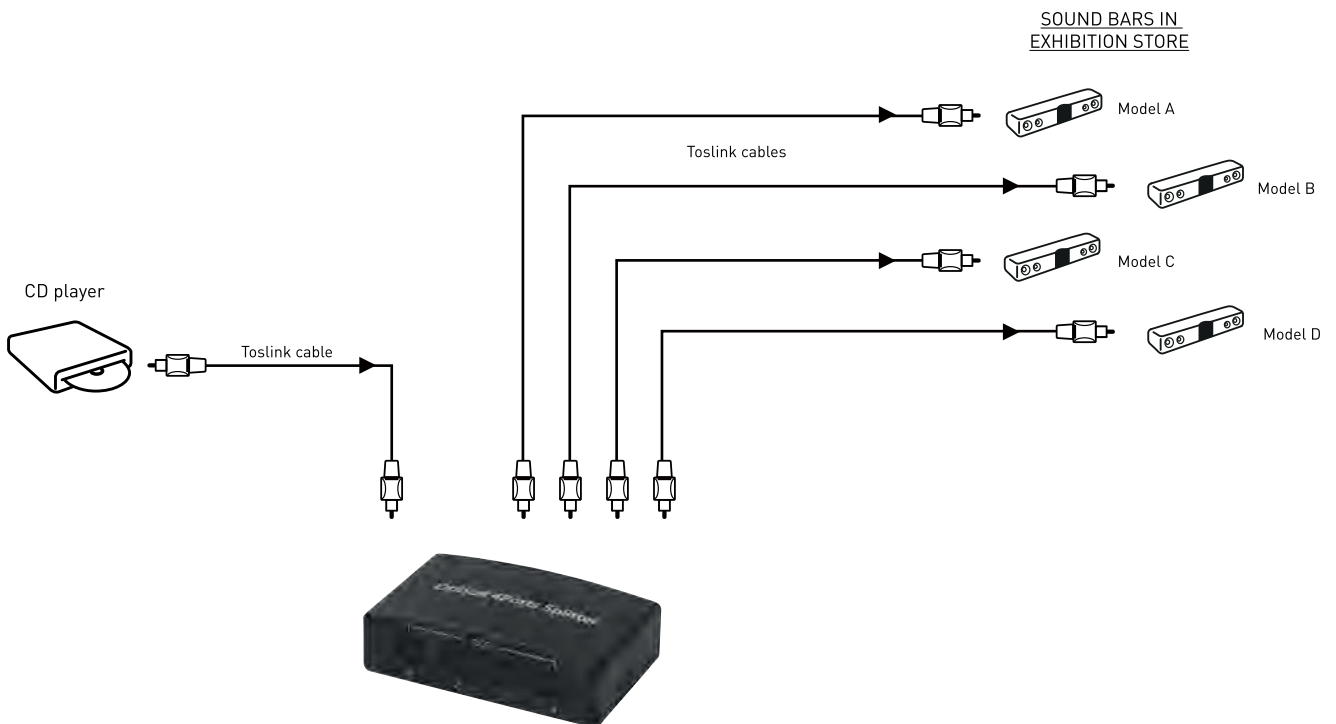
Item no. [72] 1913



TOSLINK SPLITTER 1 to 4

Allows you to simultaneously stream one HD audio source (amp, HiFi system, HD receiver ...) on four audio streamers (speakers, sound bar, amp...).

Input: 1 TOSLINK Output: 4 TOSLINK Max. frequency: 192 KHz Audio formats: LPCM, Dolby 5.1 & DTS 5.1 Dim.: 95 × 69 × 22 mm Power supply included
Item no. (72) 1912



HDMI AMPLIFIER SPLITTER - 225 MHz

Allows you to simultaneously stream an HDMI source (HD receiver , HD video games, 3D Blu-ray...) to two, four or eight flat screens or video projectors in high-definition digital quality. Cascade connections are possible on three levels: ideal for creating an in-store display wall.

**Full HD
1080p**



Input: 1 HDMI
Output: 2 HDMI
Gold-plated connectors
Amplification and auto sync
Dim.: 155 × 70 × 24 mm
Power supply included

Item no. (72) 6994



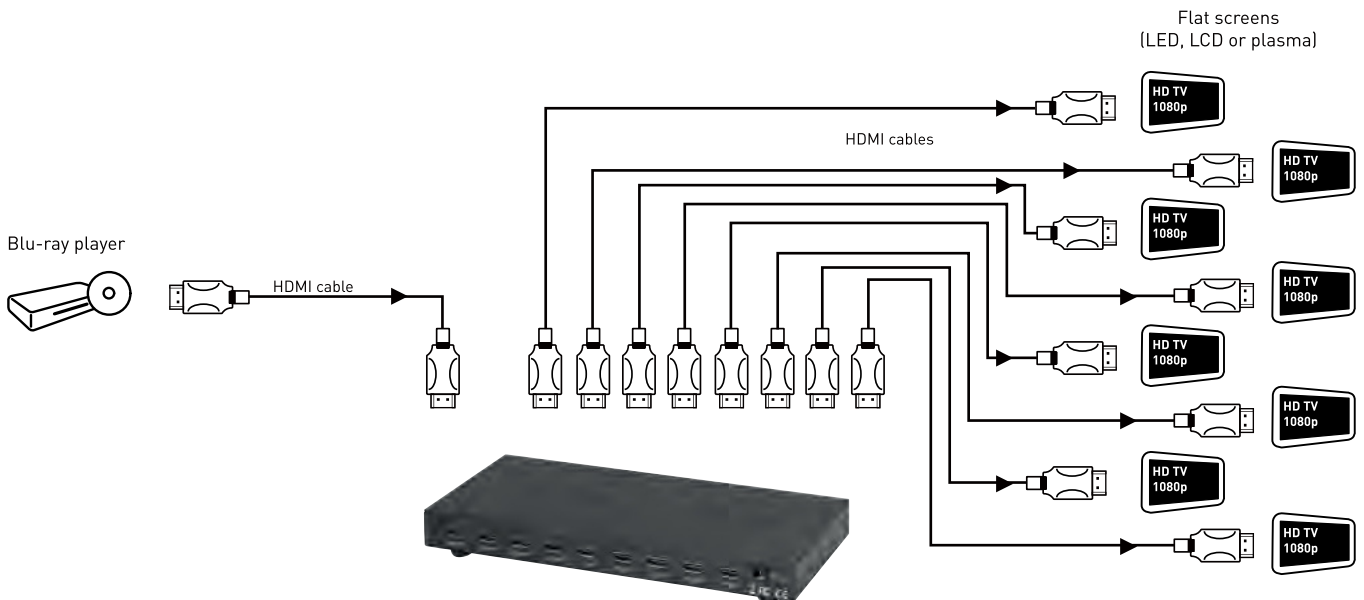
Input: 1 HDMI
Output: 4 HDMI
Gold-plated connectors
Amplification and auto sync
Dim.: 155 × 70 × 24 mm
Power supply included

Item no. (72) 6995



Input: 1 HDMI
Output: 8 HDMI
Gold-plated connectors
Amplification and auto sync
Dim.: 260 × 115 × 27 mm
Power supply included

Item no. (72) 6996



HDMI KIT 1 to 4 - Ultra HD 4K - 340 MHz

Allows you to simultaneously stream an HDMI source (HD receiver, HD video games, 3D Blu-ray...) on four flat screens or video projectors in high-definition digital quality.

Ultra HD
4K

ESD
protection

EDID
Manager

HDMI x 4 kit
Consisting of:
1 HDMI distributor 1 input / 4 outputs
Dim.: 155 x 70 x 24 mm
+ 2 HDMI 4K cables - male / male - 2.00 m
+ 3 HDMI 4K cables - male / male - 3.00 m
Gold-plated connectors
Power supply included

Item no. (72) 7960



5 HDMI 4K CABLES INCLUDED

HDMI KIT 1 to 8 - Ultra HD 4K - 340 MHz

Allows you to simultaneously stream an HDMI source (HD receiver, HD video games, 3D Blu-ray...) on eight flat screens or video projectors in high-definition digital quality.

Ultra HD
4K

ESD
protection

EDID
Manager

HDMI x 8 kit
Consisting of:
1 HDMI distributor 1 input / 8 outputs
Dim.: 260 x 115 x 27 mm
+ 3 HDMI 4K cables - male / male - 2.00 m
+ 3 HDMI 4K cables - male / male - 3.00 m
+ 3 HDMI 4K cables - male / male - 5.00 m
Gold-plated connectors
Power supply included

Item no. (72) 7961



9 HDMI 4K CABLES INCLUDED

HDMI SPLITTER 1 to 2 - 340 MHz

Allows you to simultaneously stream Ultra HD content to two UHD TV screens or UHD video projectors in 4K × 2K digital resolution (new cinema broadcast standard equivalent to an image quality four times that of Full HD 1080p).

Ultra HD
4K

ESD
protection

Input: 1 HDMI
Output: 2 HDMI
Gold-plated connectors
Amplification and auto sync
Surge protection function (ESD)
Dim.: 155 × 70 × 24 mm
Power supply included

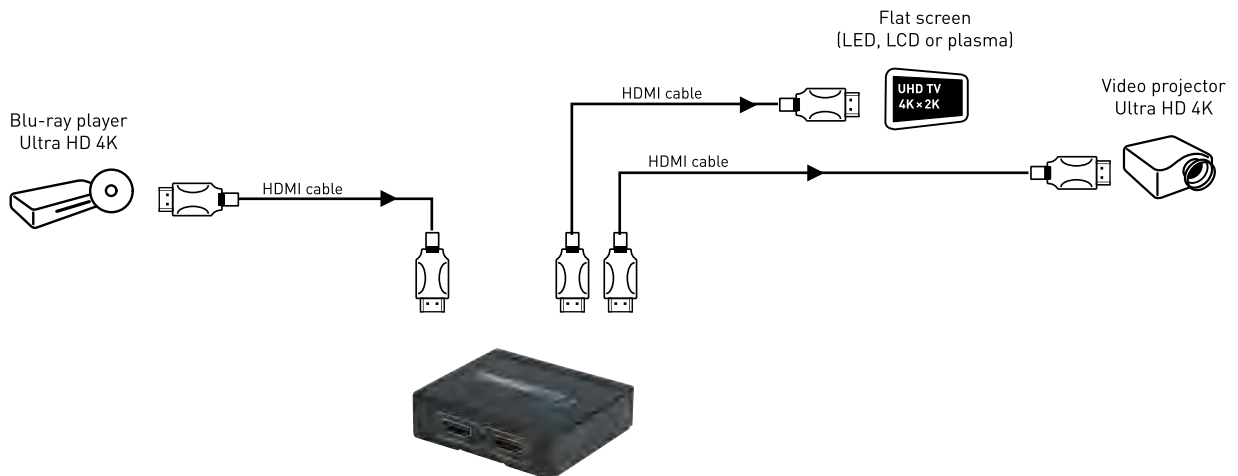
Item no. (72) 6991



Rear view



Front view



HDMI SPLITTER 1 to 4 - 340 MHz

Allows you to simultaneously stream Ultra HD content to several UHD TV screens or UHD video projectors in 4K×2K digital resolution (new cinema broadcast standard equivalent to an image quality four times that of Full HD 1080p). In addition, the EDID Manager helps avoid compatibility conflicts between devices because the resolutions encoded by the four switches (15 possible combinations) freeze the audio and video information transferred by the source. Cascade connections are possible on three levels: ideal for creating an in-store display wall.

- Ultra HD
4K
- ESD
protection
- EDID
Manager

Input: 1 HDMI
 Output: 4 HDMI
 Gold-plated connectors
 Amplification and auto sync
 Surge protection function (ESD)
 Dim.: 155 × 70 × 24 mm
 Power supply included

Item no. (72) 6992



Rear view

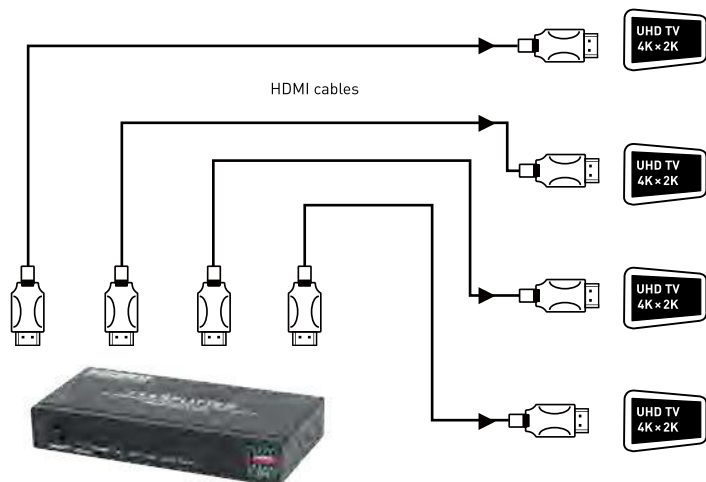


Front view

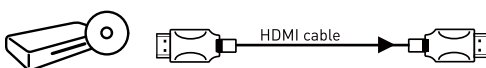


EDID MANAGER	
15 possible settings	Resolutions
0000	EDID copy of HDMI OUT 1
0001	1080p / 2CH AUDIO
0010	1080p / DOLBY DTS 5.1
0011	1080p / HD AUDIO
0100	1080i / 2CH AUDIO
0101	1080i / DOLBY DTS 5.1
0110	1080i / HD AUDIO
0111	3D / 1080p / 2CH AUDIO
1000	3D / 1080p / DOLBY DTS 5.1
1001	3D / 1080p / HD AUDIO
1010	4K at 30 fps / 2CH AUDIO
1011	4K at 30 fps / DOLBY DTS 5.1
1100	4K at 30 fps / HD AUDIO
1101	1080p / 2CH AUDIO
1111	Automatic EDID

Flat screens
(LED, LCD or plasma)



Blu-ray player
Ultra HD 4K



HDMI SPLITTER 1 to 8 - 340 MHz

Allows you to simultaneously stream Ultra HD content to several UHD TV screens or UHD video projectors in 4K×2K digital resolution (new cinema broadcast standard equivalent to an image quality four times that of Full HD 1080p). In addition, the EDID Manager helps avoid compatibility conflicts between devices because the resolutions encoded by the four switches (15 possible combinations) freeze the audio and video information transferred by the source. Cascade connections are possible on three levels: ideal for creating an in-store display wall.

- Ultra HD
4K
- ESD
protection
- EDID
Manager

Input: 1 HDMI
 Output: 8 HDMI
 Gold-plated connectors
 Amplification and auto sync
 Surge protection function (ESD)
 Dim.: 260 × 115 × 27 mm
 Power supply included

Item no. (72) 6993



Rear view

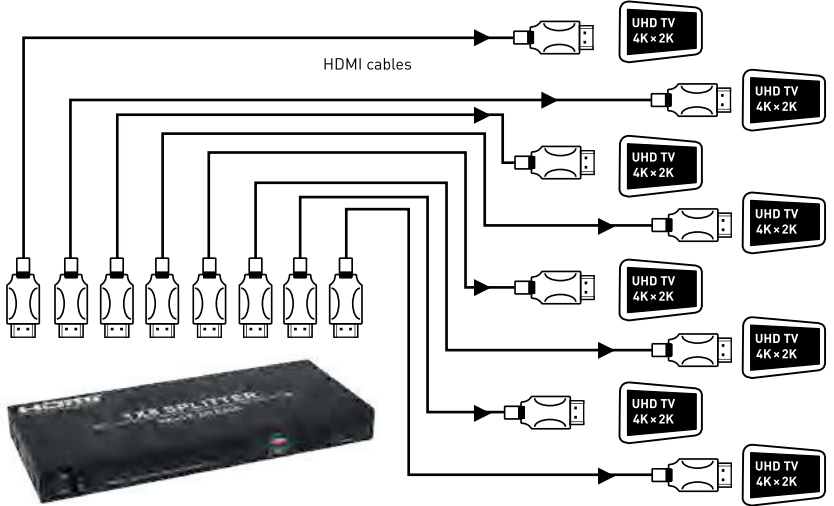
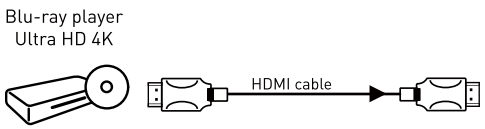


Front view



EDID MANAGER	
15 possible settings	Resolutions
0000	EDID copy of HDMI OUT 1
0001	1080p / 2CH AUDIO
0010	1080p / DOLBY DTS 5.1
0011	1080p / HD AUDIO
0100	1080i / 2CH AUDIO
0101	1080i / DOLBY DTS 5.1
0110	1080i / HD AUDIO
0111	3D / 1080p / 2CH AUDIO
1000	3D / 1080p / DOLBY DTS 5.1
1001	3D / 1080p / HD AUDIO
1010	4K at 30 fps / 2CH AUDIO
1011	4K at 30 fps / DOLBY DTS 5.1
1100	4K at 30 fps / HD AUDIO
1101	1080p / 2CH AUDIO
1111	Automatic EDID

Flat screens
(LED, LCD or plasma)



HDMI SPLITTER 1 to 16 - 340 MHz

Allows you to simultaneously stream Ultra HD content to 16 UHD TV screens or UHD video projectors in 4K x 2K digital resolution (new cinema broadcast standard equivalent to an image quality four times that of Full HD 1080p).

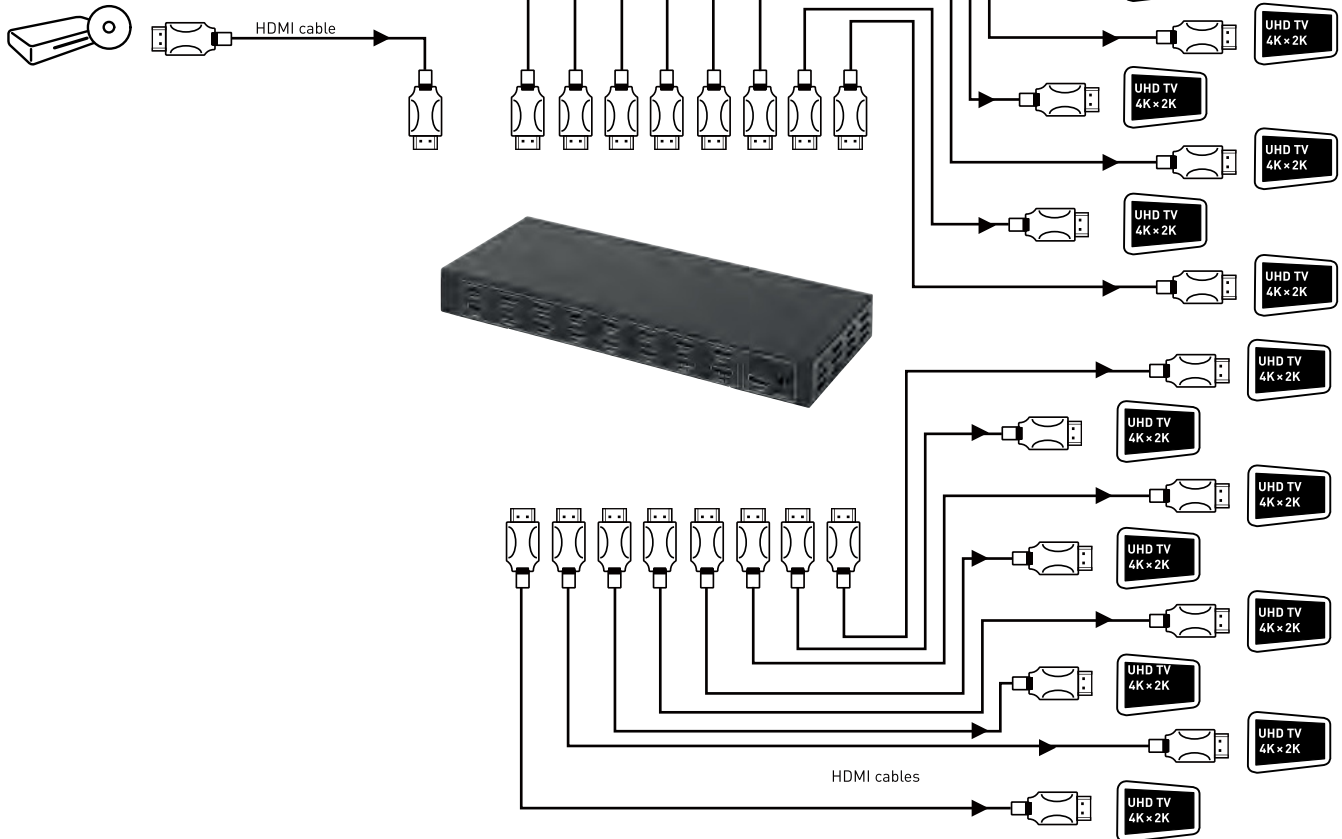
- Ultra HD 4K
- ESD protection
- EDID Manager

Input: 1 HDMI
 Output: 16 HDMI
 Gold-plated connectors
 Amplification and auto sync
 Dim.: 440 x 200 x 44 mm
 Power supply included

Item no. (72) 6997



Blu-ray player
Ultra HD 4K



SIX STEPS TO OPTIMIZE YOUR HDMI DIGITAL SIGNAGE INSTALLATION:

HDMI distributors supplied by ERARD CONNECT comply with the CEC standard, the EDID protocol and the HDCP standard and are compatible with 3D signals.

However, a distinction must be made between item no. 6995 and 6996 (max. video resolution Full HD 1080p - 225 MHz) and item no. 6992 and 6993 (max. video resolution 4K×2K - 340 MHz).

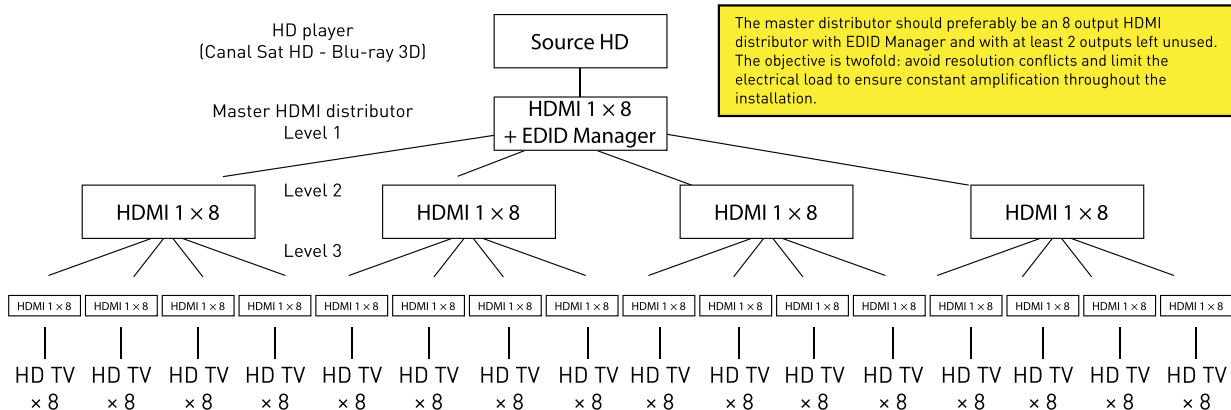
Cascade connections allow to create a professional demonstration wall with high quality rendering of audio and video content on all screens.

Each HDMI output is amplified and synchronized automatically.

The nature of the HDMI signal (digital bidirectional broadband signal between source and receiver) means that a digital signage installation needs to be connected according to a strict procedure, so please observe the following:

PREPARATION

- 1** We recommend that you draw a diagram of your installation so the location of the HDMI distributors is clear (ideally the source will be placed in the centre of the screen wall).



- 2** As shown in the diagram above, the devices are connected in “star” and not in “series”. In addition, an HDMI installation should not have more than three levels of devices.

- 3** Once you have made a diagram of your installation, you can determine the location of the HDMI distributors in the furniture.

In the same way, you will be able to adapt the lengths of necessary HDMI cables to best fit your needs:

- Between source and master HDMI distributor: Use a short HDMI cable (max. 3 metres)
- Between HDMI distributors and screens: Use HDMI cables less than 5 metres long
- For any HDMI connection greater than 10 metres, we recommend you use:



- Item no.: 7984**
 1 × 1 HDMI extender via RJ45
 - Up to 50 metres
 - HDMI bypass output on the transmitter
 - Compatible with 1080p / CEC / HDCP



- Item no.: 7976**
 1 × 1 HDMI extender via RJ45
 - Up to 80 metres
 - Compatible with Ultra HD 4K / CEC / HDCP



CONNECTION

- 4 Starting at the source, connect the devices with the HDMI cables you have previously selected (there is still time to replace the cables with shorter ones, this helps limit the risk of signal deterioration usually caused by the length of the cables).
- 5 Once all the connections have been made, check the following:
 - Connections between cables and devices and between power supply units and electrical outlets are all correct.
 - HDMI distributors are easily accessible.
 - The devices are installed in such a way that air can circulate (for ventilation purposes).
 - The "HDMI control" function must be disabled on all wall screens (also known as: CEC, Viera Link, Bravia Theatre Sync, AnyNet+, Regza link, Aquos Link...).
 - The ECO or auto standby mode must also be deactivated.

GETTING STARTED

- 6 The devices must be switched on in the following order:

1. Screens
2. HDMI distributors
3. HD source

The LEDs on the distributors flash while the synchronization takes place; as soon as the LEDs light up permanently, images appear on the screens (not all screens detect the source automatically; in that case, the HDMI input must be selected manually).

Important: Do not turn off, switch to standby, or unplug a screen during operation of the demonstration wall as this may result in a loss of synchronisation of the HDMI distributors and consequently some screens going black.

IN CASE OF MALFUNCTION

- Random image loss

Difficult to diagnose because specific to the environment of each point of sale, these temporary malfunctions can be solved by making adjustments to the area to be stabilized.

Recommendations:

Turn off the HDMI distributor concerned, then turn it back on with the ON/OFF switch.

Synchronization is done automatically.

Check the routing of the HDMI cables, if necessary, bypass the parasitic sources (neon, electric transformer, air conditioning...) and, if possible, isolate the electrical connections.

If distributors are installed in a confined space (partition, hatch, podium...), take them out and test after placing them in an area where there is sufficient airflow for efficient ventilation.

- Recurrent image loss

An in-store HDMI installation is subjected to intensive use and depends on the configuration of each store (run time, power cuts, manipulation by customers...).

In the case of black screens that no longer synchronize, even after performing the recommendations given under "Random image loss", you may have to replace the hardware as follows:

If the power LED of a distributor remains off, replace the power supply with one that has the same amperage (repeated power interruptions limit their service life).

If an HDMI input or output is found to be out of service,

Replace the faulty distributor (malfunctioning of an HDMI distributor may lead to a loss of synchronization of the distributors connected upstream and downstream, hence the need to carry out checks branch by branch to locate the link causing the anomalies detected).

Because some entry-level TV screens are not equipped with the technology required for streaming an Ultra HD 4K image, they will not be able to synchronize with a source that delivers an Ultra HD 4K resolution; you will have to reduce the resolution of the source to Full HD 1080p or 720p.

VGA MATRIX 4 to 4

Allows simultaneous connection of four digital audio/video sources on the same distribution box. The source is selected independently on each of the four outputs.

Input: 4 VGA
 4 jack 3.5 mm
 1 RS-232
 1 IR jack

Output: 4 VGA
 4 jack 3.5 mm

Remote control extender
 Selection by selection key,
 remote control or via RS-232
 Maximum resolution: 1920 × 1200,
 1080p at 60 Hz
 Bandwidth: 500 MHz
 Dim.: 267 × 115 × 45 mm
 Power and IR cell supplied

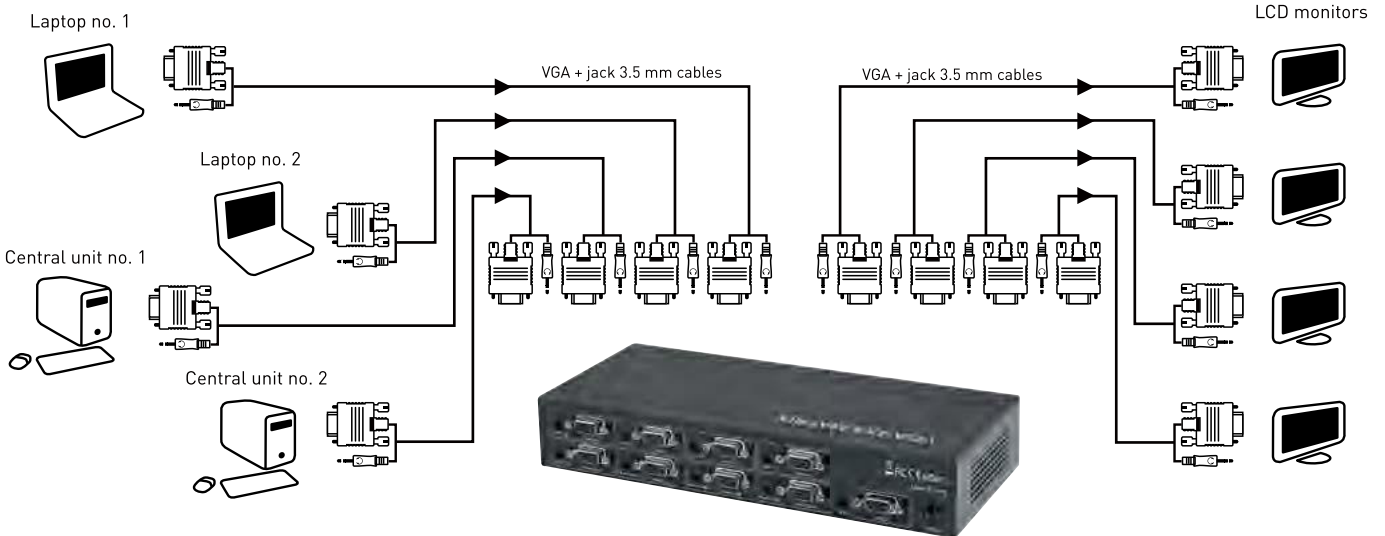
Item no. (72) 7699



Rear view



Front view



VGA SPLITTER + Audio

Allows you to simultaneously stream a VGA source to two, four or eight computer LCD monitors by rendering audio and video content separately.



Input: 1 VGA (HD15) male + 1 jack 3.5 mm
 Output: 2 VGA (HD15) male + 2 jack 3.5 mm
 Maximum resolution: 1920 × 1200 and 1080p
 Bandwidth: 500 MHz
 Dim.: 120 × 71 × 24,5 mm
 Power supply included

Item no. (72) 7703



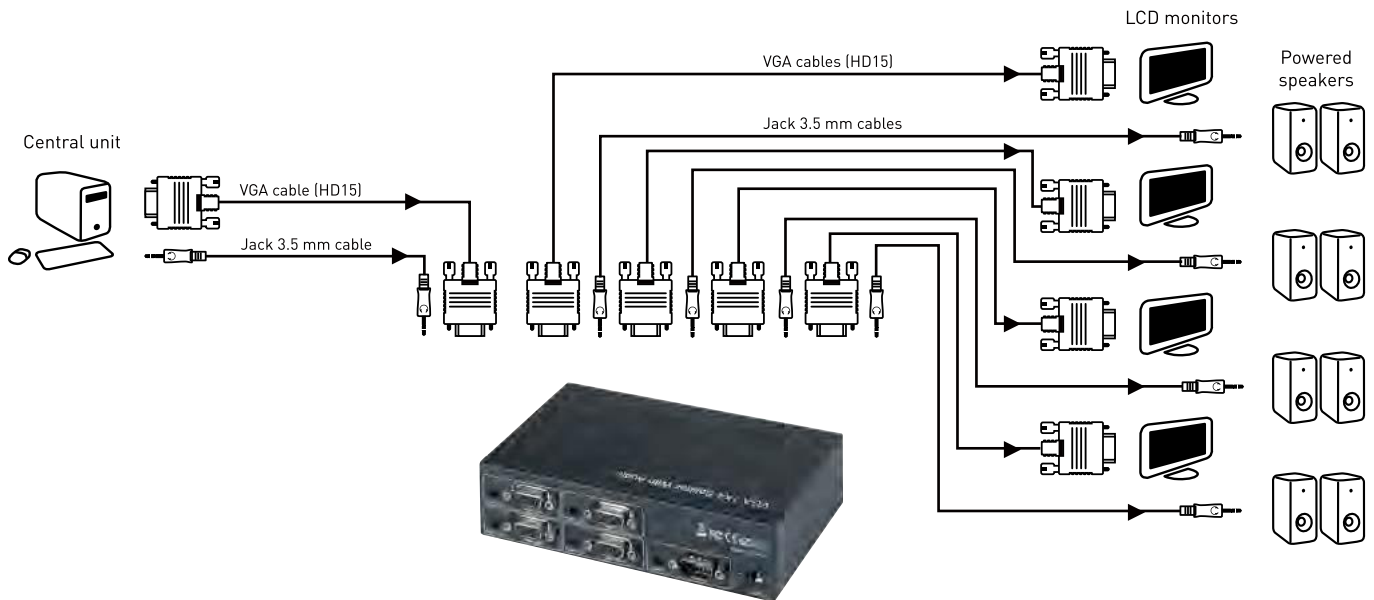
Input: 1 VGA (HD15) male + 1 jack 3.5 mm
 Output: 4 VGA (HD15) male + 4 jack 3.5 mm
 Maximum resolution: 1920 × 1200 and 1080p
 Bandwidth: 500 MHz
 Dim.: 165 × 92 × 45 mm
 Power supply included

Item no. (72) 7700



Input: 1 VGA (HD15) male + 1 jack 3.5 mm
 Output: 8 VGA (HD15) + 8 jack 3.5 mm
 Maximum resolution: 1920 × 1200 and 1080p
 Bandwidth: 500 MHz
 Dim.: 267 × 115 × 45 mm
 Power supply included

Item no. (72) 7701



HDMI EXTENDER 1 to 1 via RJ45 + HDMI Bypass

Allows you to distribute a digital audio/video source to two displays (flat screen or video projector), with one in the vicinity (via HDMI cable) and the other one remote (via a single RJ45 cable).

Full HD
1080p

Remote
control
transfer

HDMI
bypass

Up to
50 m

NEW MODEL

Transmitter: Input: 1 HDMI
Output: 1 RJ45
1 HDMI bypass
Remote control transfer function (38 KHz)
Receiver: Input: 1 RJ45
Output: 1 HDMI
Housing dimensions: 77 × 64 × 25 mm
Power and IR cells supplied

Item no. (72)7984



Transmitter



**RECOMMENDED
HARDWARE**

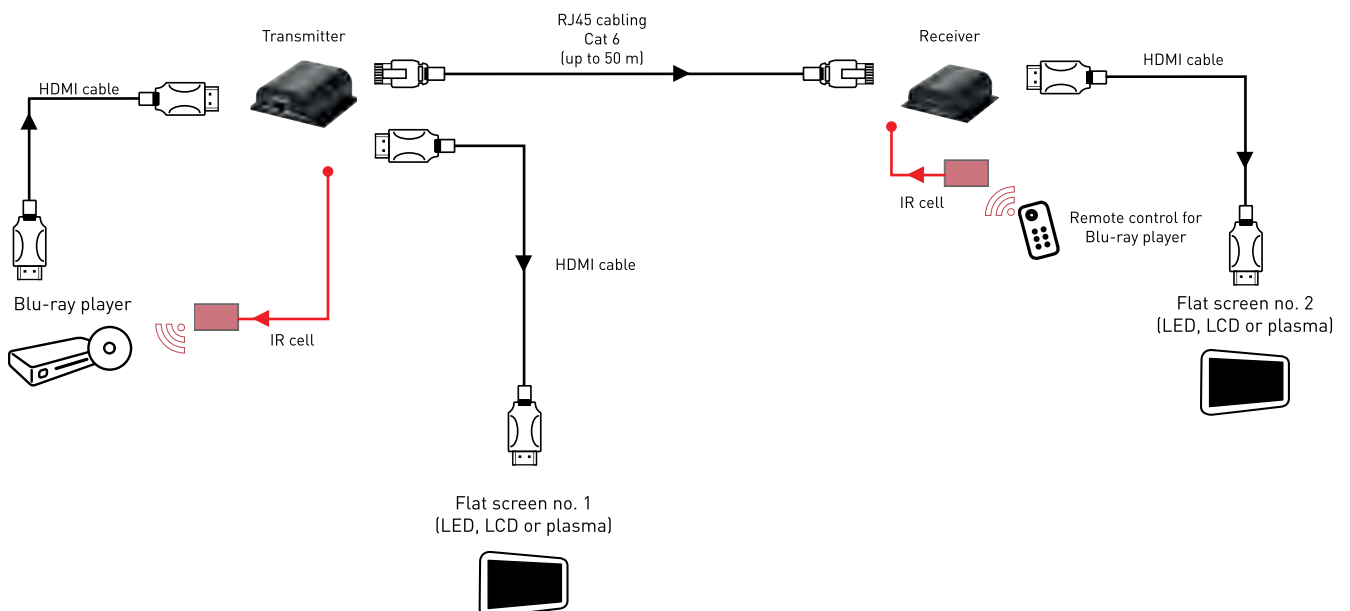


Item no. 2388
RJ45 cable Cat 6a
50 metres

Other lengths
available
(see page 7)



Receiver





HDMI EXTENDER 1 to 1 over IP

Allows an HDMI connection to be extra long but without loss of quality via an RJ45 cable. IP compatibility allows you to add a large number of receivers while retaining 1080p HD picture quality via an Ethernet switch or by adding additional receivers to an existing Ethernet network.

- Full HD
1080p
- Remote
control
transfer
- Compatible
with
TCP/IP
network
- Up to
80 m

Transmitter: Input: 1 HDMI
Output: 1 RJ45
Remote control transfer function (38 KHz)

Receiver: Input: 1 RJ45
Output: 1 HDMI

Bandwidth: 225 MHz
Housing dimensions: 100 × 65 × 25 mm
Power and IR cells supplied

Item no. (72) 7931



Transmitter



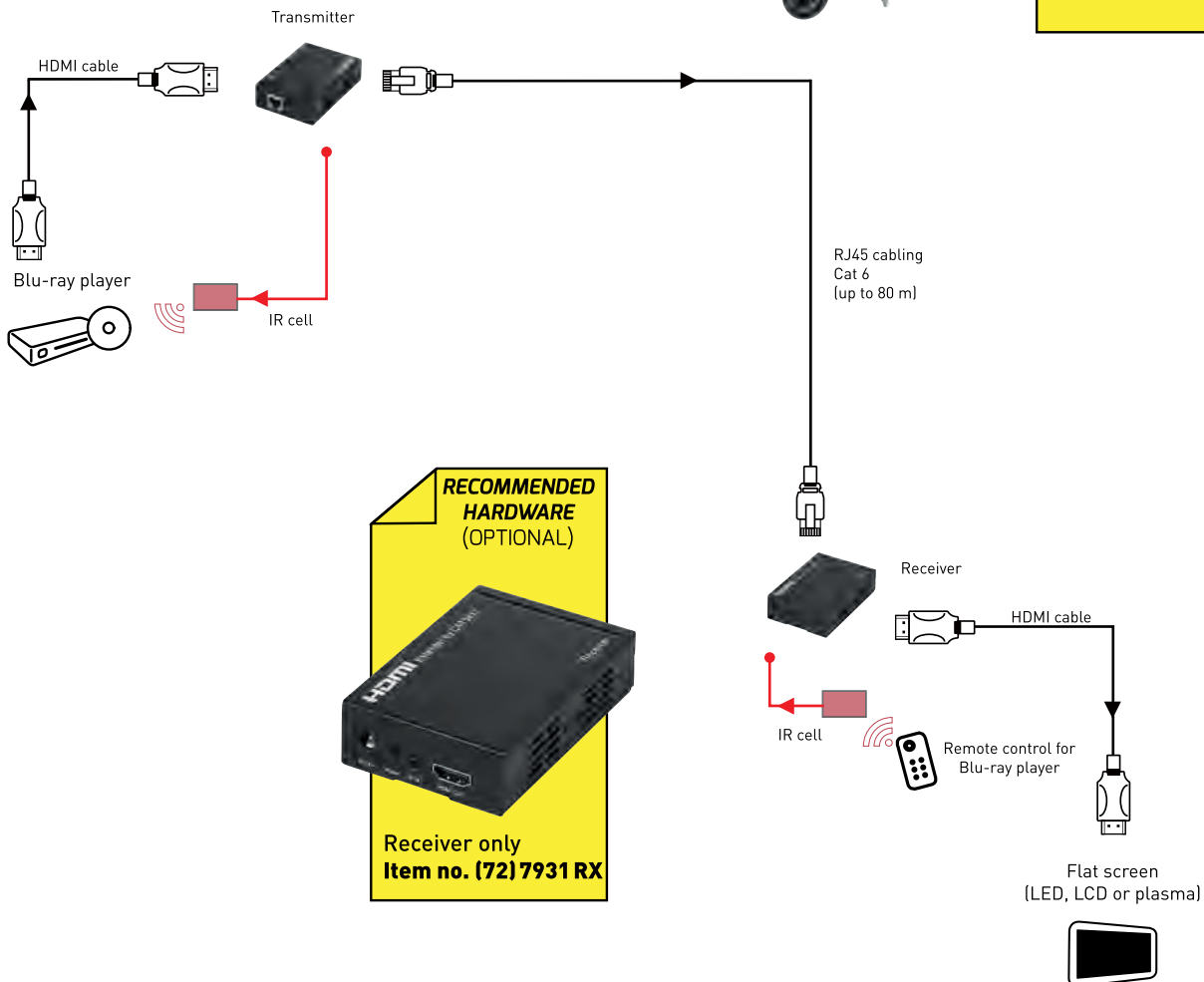
Receiver



**RECOMMENDED
HARDWARE**

Item no. 2387
RJ45 cable Cat 6a
80 metres

Other lengths avail-
able (see page 7)



**RECOMMENDED
HARDWARE
(OPTIONAL)**

Receiver only
Item no. (72) 7931 RX

NEW

HDMI EXTENDER KIT 1 to 4 over IP

Allows you to remotely distribute a digital audio/video source to four displays (flat screen or video projector). IP compatibility allows you to add a large number of receivers while retaining 1080p HD picture quality via an Ethernet switch or by adding additional receivers to an existing Ethernet network.

**Full HD
1080p**
**Remote
control
transfer**
**Compatible
with
TCP/IP
network**
**Up to
80 m**

1 transmitter: Input: 1 HDMI
Output: 1 RJ45
Remote control transfer function (38 KHz)
4 receivers: Input: 1 RJ45
Output: 1 HDMI
1 Ethernet switch 5 ports - 100 Mbps
Bandwidth: 225 MHz
Housing dimensions: 100 × 65 × 25 mm
Power and IR cells supplied

Item no. (72) 7934

1 transmitter



4 receivers

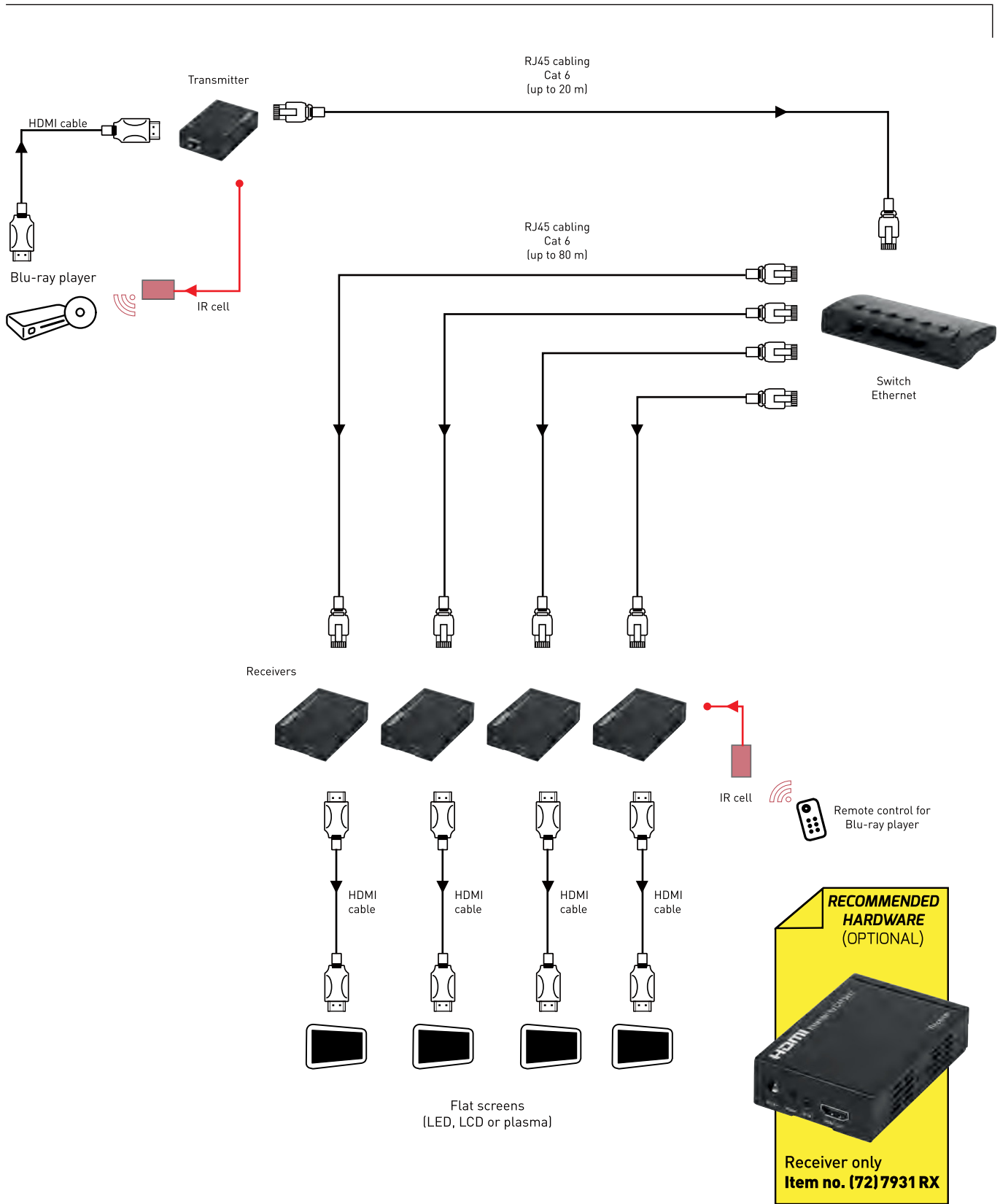


1 Ethernet switch 5 ports


x2
**RECOMMENDED
HARDWARE**

Item no. 2387
 RJ45 cable Cat 6a
80 metres

 Other lengths avail-
 able (see page 7)



NEW

HDMI EXTENDER KIT 1 to 7 over IP

Allows you to remotely distribute a digital audio/video source to seven displays (flat screen or video projector). IP compatibility allows you to add a large number of receivers while retaining 1080p HD picture quality via an Ethernet switch or by adding additional receivers to an existing Ethernet network.

**Full HD
1080p**
**Remote
control
transfer**
**Compatible
with
TCP/IP
network**
**Up to
80 m**

1 transmitter: Input: 1 HDMI
Output: 1 RJ45
Remote control transfer function (38 KHz)
7 receivers: Input: 1 RJ45
Output: 1 HDMI

1 Ethernet switch 8 ports - 1 Gbps
Bandwidth: 225 MHz
Housing dimensions: 100 × 65 × 25 mm
Power and IR cells supplied

Item no. (72) 7937

1 transmitter



7 receivers

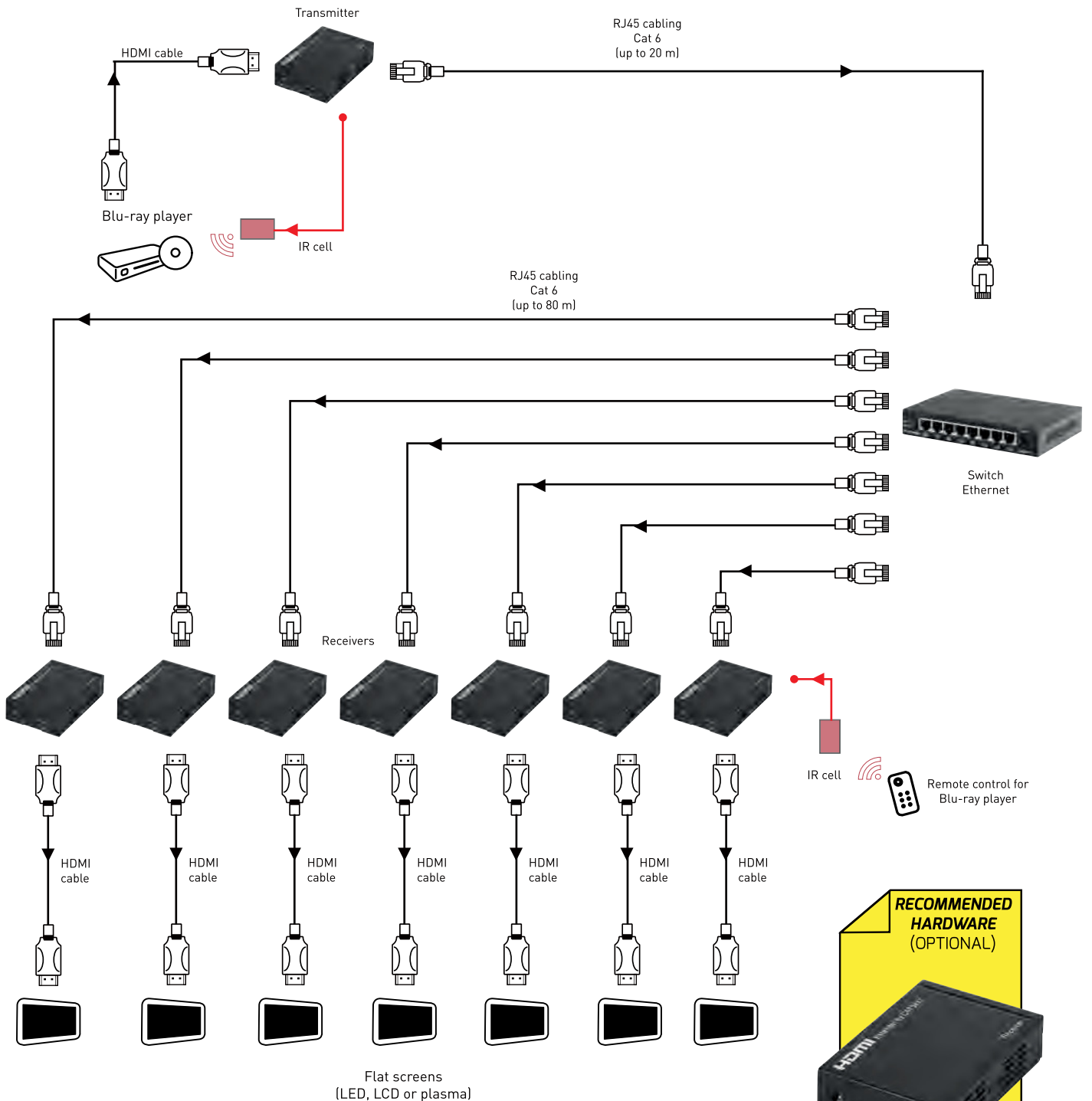

**RECOMMENDED
HARDWARE**


Item no. 2387
RJ45 cable Cat 6a
80 metres

Other lengths available (see page 7)

1 Ethernet switch 8 ports





**RECOMMENDED
HARDWARE
(OPTIONAL)**



Receiver only
Item no. (72) 7931 RX

HDMI EXTENDER 1 to 1 + Ethernet via RJ45

Allows you to remotely extend an HD audio/video source via a single RJ45 cable. It is also possible to extend an Ethernet connection in parallel of the HDMI stream (applications: sharing of an Internet connection, setting up of a local network...). PoE compatibility means the receiver does not require power supply (power is supplied remotely by the transmitter via RJ45 cable Cat 6a).

**Ultra HD
4K**

**Remote
control
transfer**

**HDBaseT
certified**

**Up to
80 m**

**Controllable
via
RS-232**

**PoE
power supply
via RJ45**



Transmitter

Receiver



x2

1 transmitter
Input: 1 HDMI
1 RJ45 (Ethernet LAN)
1 RS-232 (3-pin)
Output: 1 RJ45 (HD Base T Cat 6)
Metal housing
Dim.: 111 × 75 × 23.5 mm

1 receiver
Input: 1 RJ45 (HD Base T Cat 6)
Output: 1 HDMI
2 RJ45 (Ethernet LAN)
1 RS-232 (3-pin)
Metal housing
Dim.: 111 × 75 × 23.5 mm

Video resolution: up to Ultra HD 4K
Compatible: 3D, CEC, HDCP
Automatic sync function
Audio resolution: LPCM, DTS HD, DOLBY TRUE HD
Bidirectional remote control transfer function (38 KHz)

Power and IR cells supplied

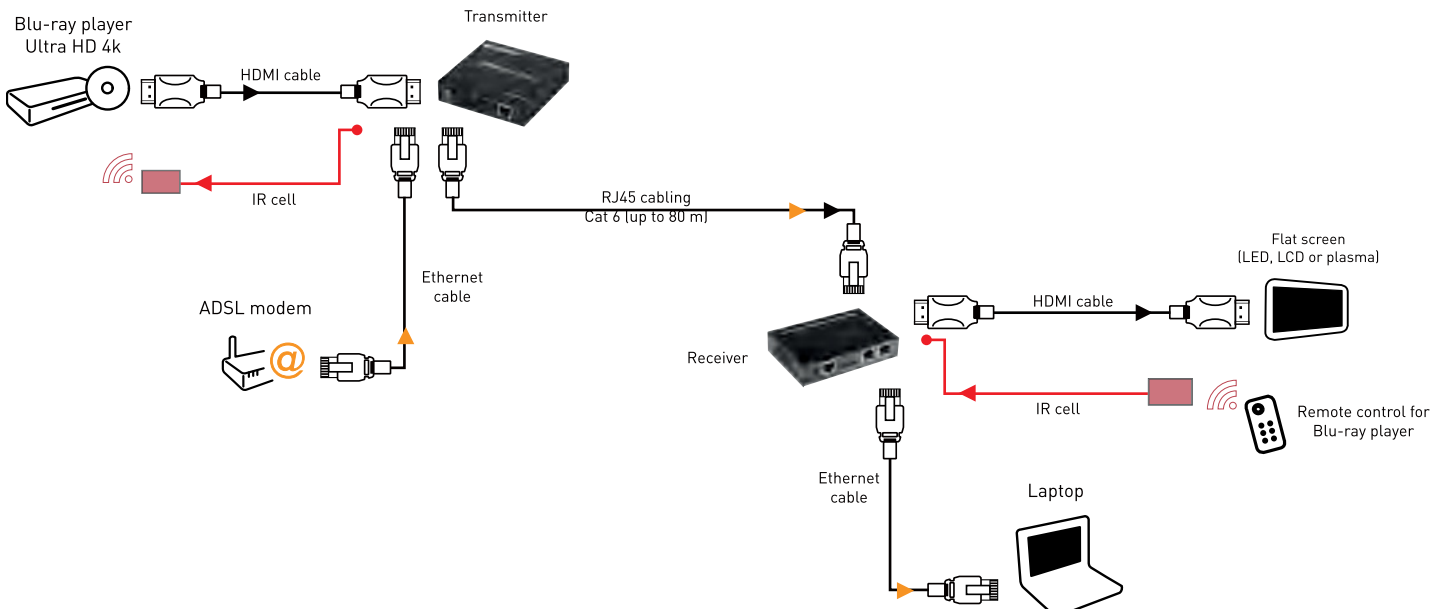
Item no. (72) 7976

**RECOMMENDED
HARDWARE**



Item no. 2387
RJ45 cable Cat 6a
80 metres

Other lengths available (see page 7)



HDMI EXTENDER KIT 1 to 4 + Ethernet via RJ45

Allows you to remotely extend an HD audio/video source to four displays (TV screens or video projectors...) via extra long RJ45 cables. It is also possible to extend an Ethernet connection in parallel of the HDMI stream (applications: sharing of an Internet connection, setting up of a local network...).

- Ultra HD
4K
- HDBaseT
certified
- Up to
80 m



4 receivers



Transmitter

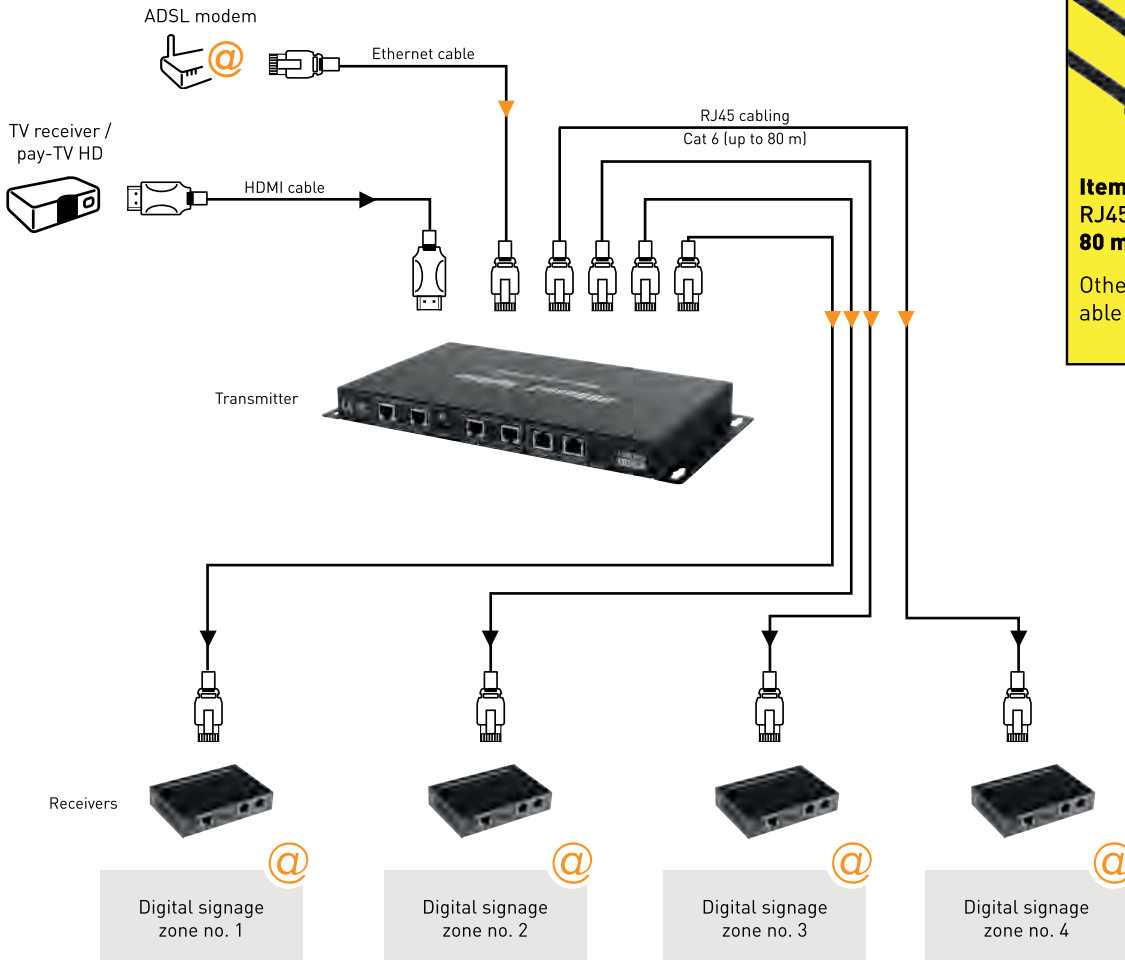
1 transmitter
Input: 1 HDMI
1 RJ45 (Ethernet LAN)
Output: 2 RJ45 (Ethernet LAN)
4 RJ45 (HD Base T Cat 6)
Metal housing
Dim.: 111 × 75 × 23.5 mm

4 receivers
Input: 1 RJ45 (HD Base T Cat 6)
Output: 1 HDMI
2 RJ45 (Ethernet LAN)
Metal housing
Dim.: 111 × 75 × 23.5 mm

Video resolution: up to 1080p / 120 Hz
Compatible: 3D, CEC, HDCP
Automatic sync function
Audio resolution: LPCM, DTS HD, DOLBY TRUE HD
Remote control transfer function (38 KHz)

Power supply included

Item no. (72) 7977



**RECOMMENDED
HARDWARE**

Item no. 2387
RJ45 cable Cat 6a
80 metres

Other lengths available (see page 7)

HDMI EXTENDER KIT 4 to 4 + Ethernet via RJ45

Allows you to extend and select four remote HD audio/video sources with extra long RJ45 cables (the source is selected independently on each of the four outputs, with 16 combinations possible).

It is also possible to extend an Ethernet connection in parallel of the HDMI stream (applications: sharing of an Internet connection, setting up of a local network...).

**Ultra HD
4K**

**Remote
control
transfer**

**Certified
HDBaseT**

**Up to
80 m**

**Controllable
via
RS-232**

**PoE
power
supply
via RJ45**

**HDMI
bypass**



Transmitter - Rear view



Transmitter - Front view



4 receivers

1 Transmitter
Input: 4 HDMI
1 RJ45 (Ethernet LAN)
1 RS-232 (3-pin)
1 RJ45 (control via IP)
Output: 4 RJ45 (HD Base T Cat 6)
4 HDMI bypass
1 RS-232 (3-pin)

Metal housing
Dim.: 440 × 200 × 50 mm

4 receivers
Input: 1 RJ45 (HD Base T Cat 6)
Output: 1 HDMI
1 RJ45 (Ethernet LAN)
1 RS-232 (3-pin)

Metal housing
Dim.: 111 × 75 × 23.5 mm

Video resolution: up to Ultra HD 4K
Compatible: 3D, CEC, HDCP
Automatic sync function
Audio resolution: LPCM, DTS HD, DOLBY TRUE HD
Bidirectional remote control transfer function (38 KHz)
Remote control selection

Power supply included

Item no. (72)7978



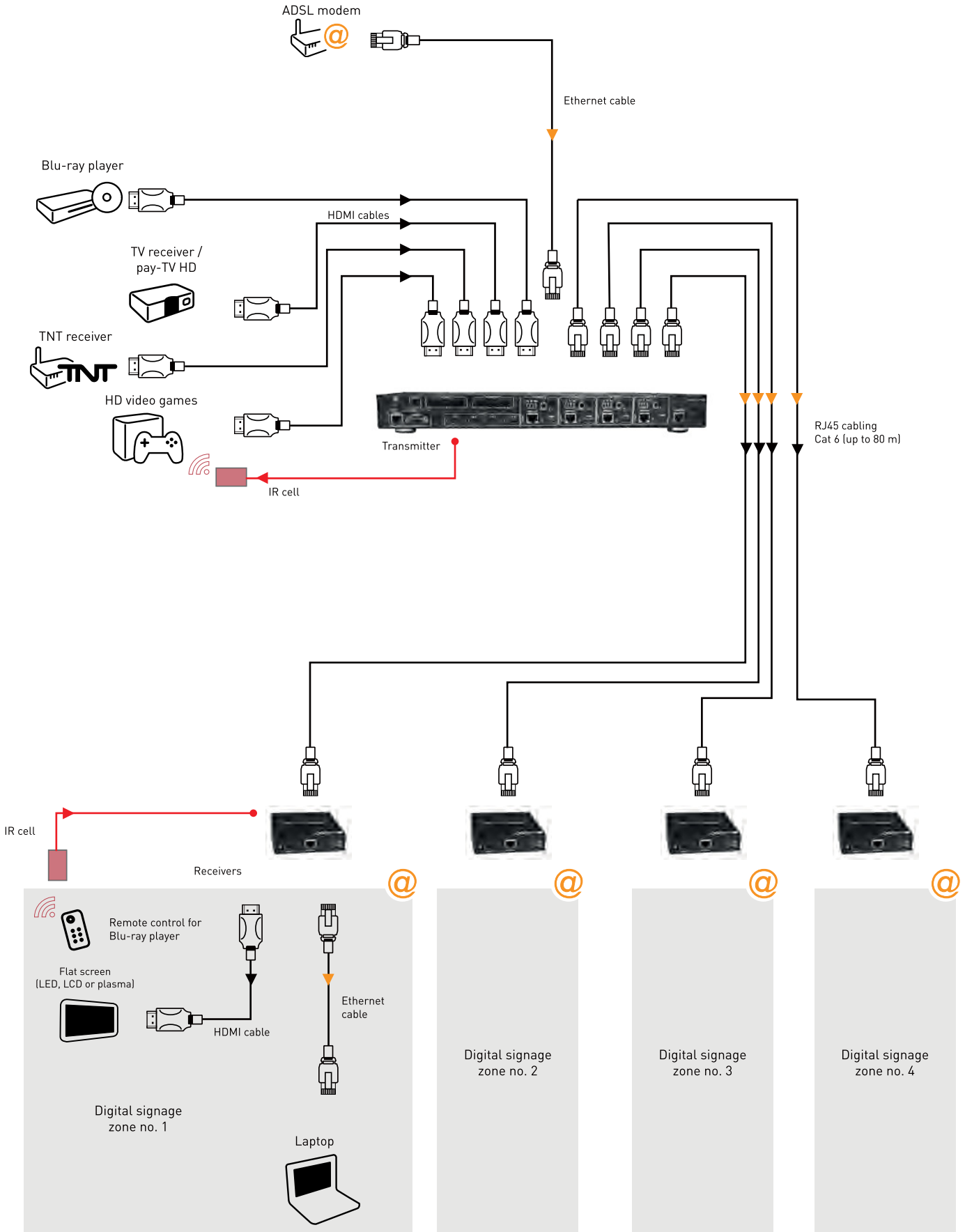
x2

**RECOMMENDED
HARDWARE**



Item no. 2387
RJ45 cable Cat 6a
80 metres

Other lengths available (see page 7)



HDMI EXTENDER 1 to 1 via FIBRE OPTIC

Allows you to extend a digital audio/video source to a flat screen or video projector via extra long single-mode fibre optic (SC Simplex) cables.

- Full HD 1080p
- Remote control transfer
- Up to 1 km

Transmitter
Input: 1 HDMI
Output: 1 SC Simplex fibre optic
Receiver
Input: 1 SC Simplex fibre optic
Output: 1 HDMI
Compact size for easy installation
Dim.: 110 x 80 x 25 mm
Power supply included

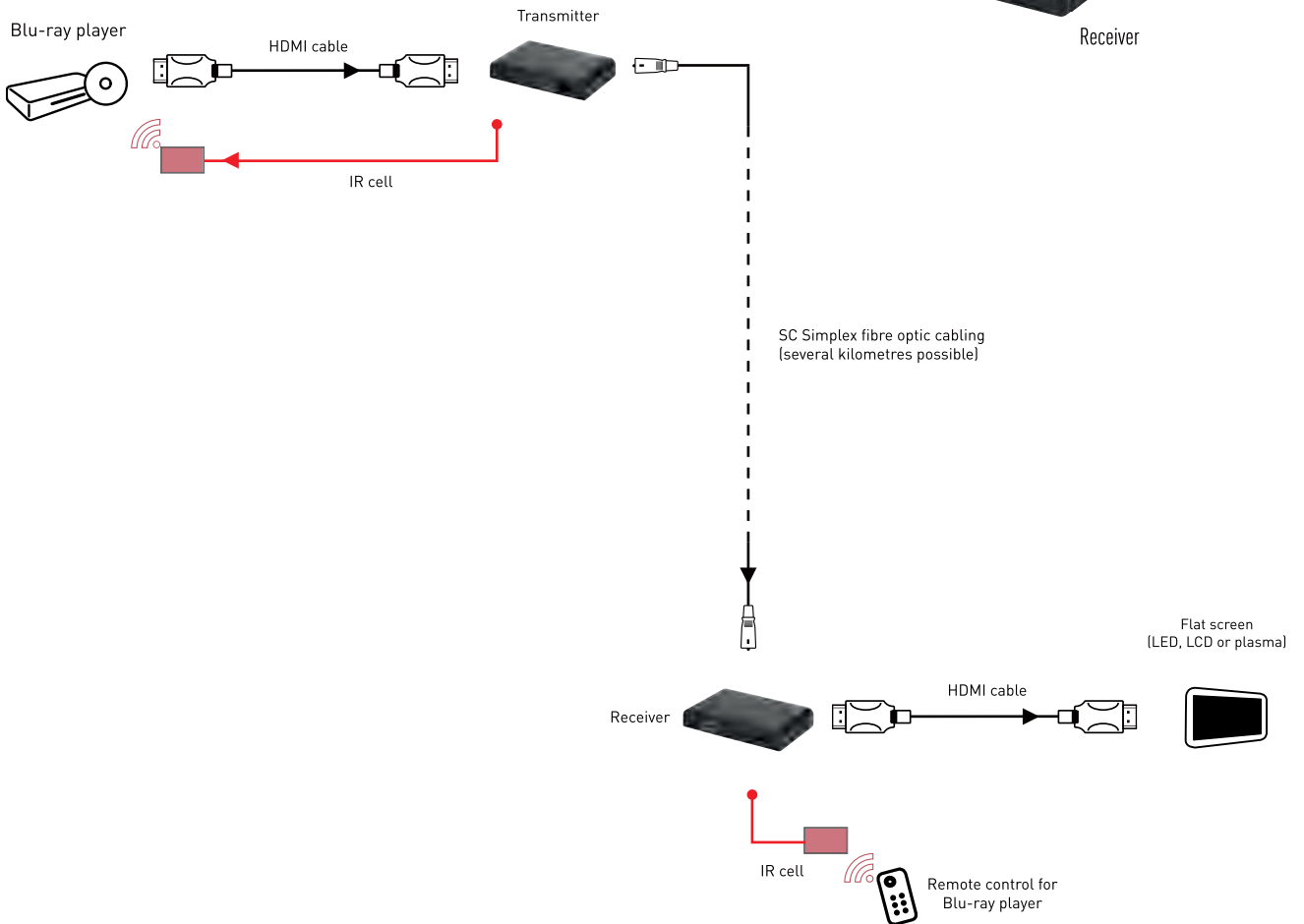
Item no. (72) 7991



Transmitter



Receiver



SC SIMPLEX FIBRE OPTIC CABLES



SC Simplex male / SC Simplex male	
Single-mode fibre optic 9/125 - OS1 PVC OFNR sheath (3 mm)	
2.00 m	Item no. (72) 1562
5.00 m	Item no. (72) 1563
20.00 m	Item no. (72) 1564
50.00 m	Item no. (72) 1565
100.00 m	Item no. (72) 1566
300.00 m	Item no. (72) 1567
1 km	Item no. (72) 1568

► Connector dimensions: 30 × 9 × 8 mm

SC SIMPLEX FIBRE OPTIC ADAPTERS



SC Simplex female / SC Simplex female
Item no. (72) 1545



SC Simplex female / LC Simplex male
Item no. (72) 1540



SC Simplex female / FC Simplex male
Item no. (72) 1541



SC Simplex female / ST Simplex male
Item no. (72) 1542

NEW

KVM EXTENDER (1 HDMI + 3 USB + 1 Ethernet) via RJ45

Allows you to remotely control a computer and computer peripherals. PoE compatibility means the receiver does not require power supply (power is supplied remotely by the transmitter via RJ45 cable Cat 6a).

Ultra HD
4KRemote
control
transferPoE
power
supply
via RJ45Up to
80 mControllable
via
RS-232RECOMMENDED
HARDWARE

Item no. 2387
RJ45 cable Cat 6a
80 metres

Other lengths avail-
able (see page 7)

Transmitter

Input: 1 HDMI (to be connected to the video output of the central unit)
USB no. 1 (keyboard)
USB no. 2 (mouse)
USB no. 3 (printer, external hard drive...)
1 RS-232 (3-pin)
1 RJ45 Ethernet

Output: 1 RJ45
Metal housing: 145 × 145 × 25 mm
Power supply included

Receiver

Input: 1 RJ45
Output: 1 HDMI (to be connected to the monitor)
USB no. 1 (keyboard)
USB no. 2 (mouse)
USB no. 3 (printer, external hard drive...)
1 RS-232 (3-pin)
1 RJ45 Ethernet

Metal housing: 145 × 145 × 25 mm
Power supply included

Functions:

- Bidirectional remote control transfer
- PoE: the receiver box does not require power supply because it is powered by the transmitter box via RJ45 cable
- Controllable via RS-232

Item no. (72) 7929

Transmitter



Front view



Rear view

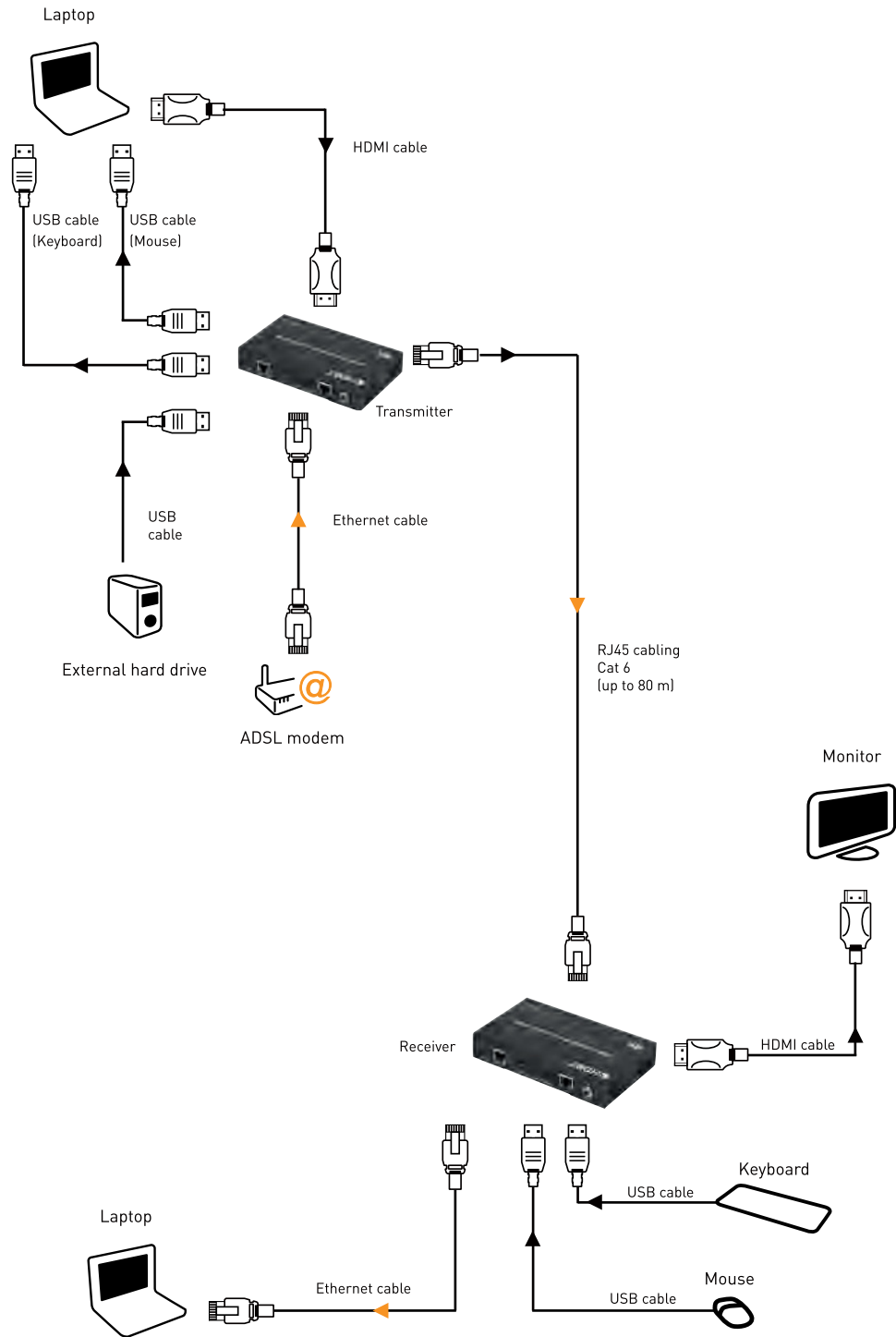
Receiver



Front view



Rear view



VGA EXTENDER + AUDIO VIA RJ45

Allows you to distribute a computer video signal (VGA) and an audio stereo signal (jack 3.5 mm) to two displays (LCD monitor or video projector and powered speakers). One in the vicinity (via VGA cable + jack 3.5 mm) and the other one remote (via a single RJ45 cable).

**Bypass
VGA
output** **Up to
80 m**



Transmitter
 Input: 1 VGA female
 1 jack 3.5 mm
 Output: 1 VGA female

Bypass
 1 jack 3.5 mm
 1 RJ45

Receiver
 Input: 1 RJ45
 Output: 1 VGA (adjustable brightness and sharpness)
 1 jack 3.5 mm

Adjustable gain and peak for optimal picture quality
 Transmitter dimensions: 100 × 65 × 25 mm
 Receiver dimensions: 82 × 43 × 23 mm
 Power supply included

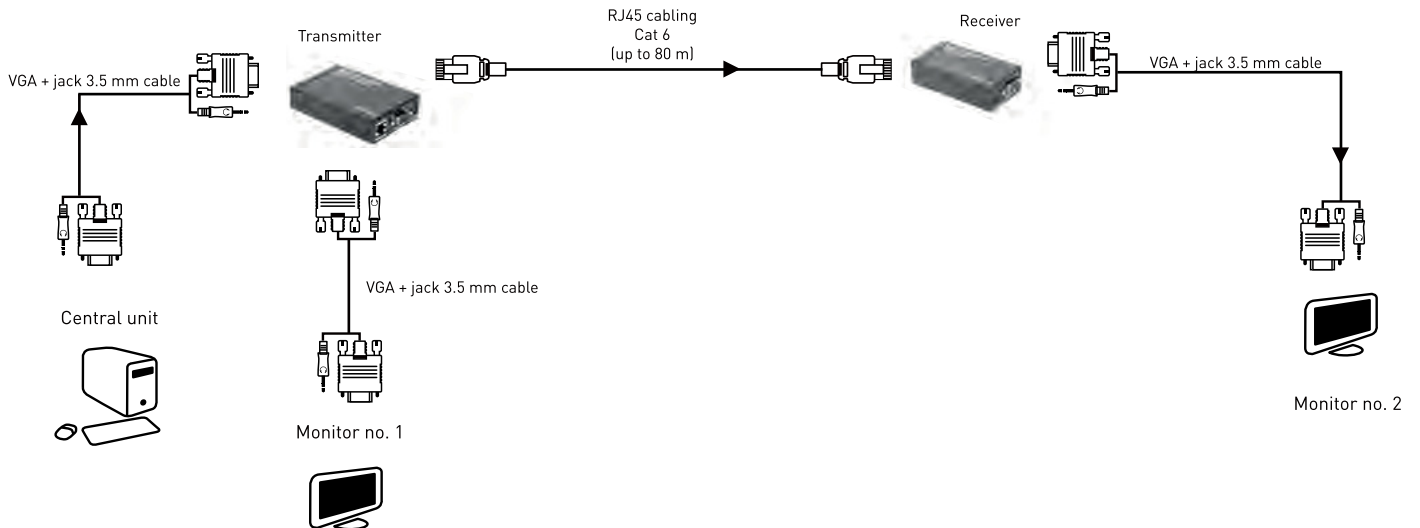
Item no. (72) 7702

**RECOMMENDED
HARDWARE**



Item no. 2387
 RJ45 cable Cat 6a
80 metres

Other lengths available (see page 7)



KVM EXTENDER (1 VGA + 2 USB) via RJ45

Allows you to control a single central unit from two remote workstations.

**Bypass
VGA
output**

**Up to
80 m**



Transmitter



Receiver

Transmitter
 Input: 1 VGA male (central unit)
 2 USB (mouse + keyboard)
 Output: 1 RJ45
 1 VGA female (monitor no. 1)

Receiver
 Input: 1 RJ45
 Output: 1 VGA female (monitor no. 2)
 2 USB (mouse + keyboard)

Video resolution: VGA and SVGA
 up to 1280 × 1024p
 Automatic sync function
 Bandwidth: 150 MHz
 Horizontal frequency: 30 - 100 KHz
 Vertical frequency: 43 - 120 KHz

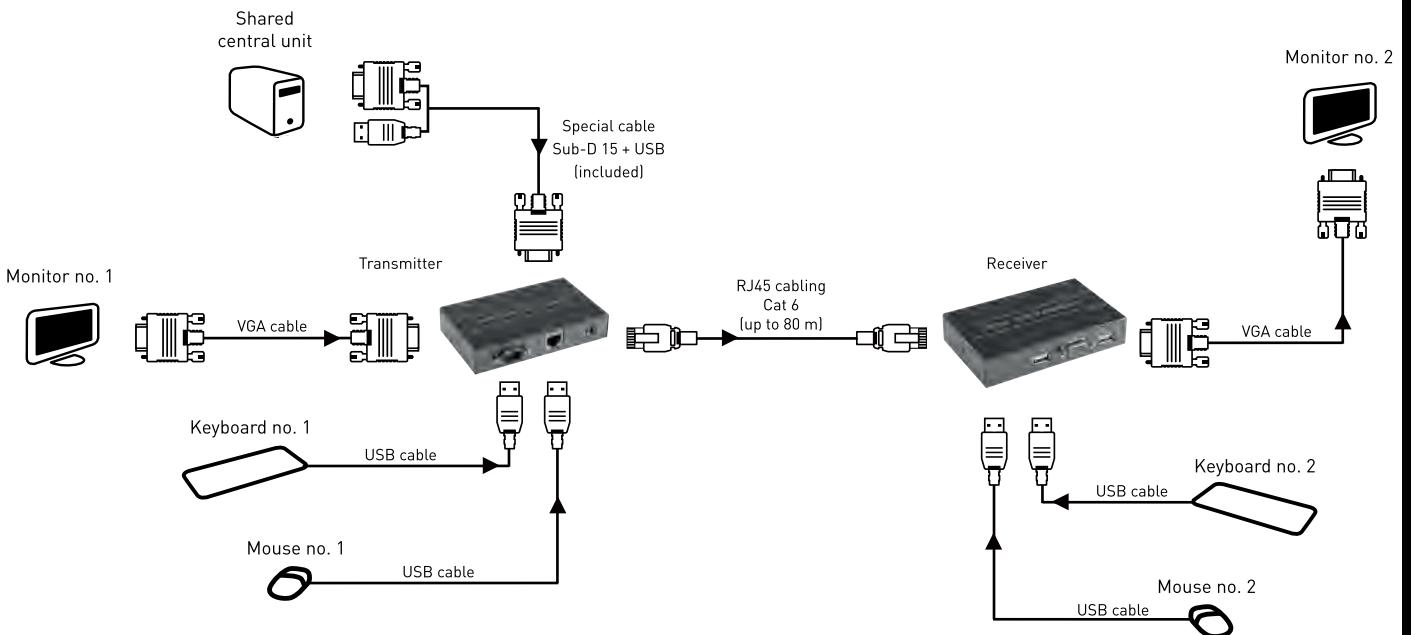
Metal housing
 Dim.: 120 × 75 × 25 mm
 1 Sub-D 15 + USB / Sub-D 15 cable included
 Power supply included

Item no. (72) 7927

**RECOMMENDED
HARDWARE**

Item no. 2387
 RJ45 cable Cat 6a
 80 metres

Other lengths available (see page 7)



USB EXTENDER 1 to 1 via RJ45

Allows you to extend the USB signal from a computer peripheral to a computer via a single RJ45 cable. Bidirectional: playback and recording.

Up to
80 m

Transmitter:
Input: 1 RJ45 female
Output: 1 USB male
Receiver:
Input: 1 USB female
Output: 1 RJ45 female
Dim.: 60 × 35 × 20 mm
Self-powered

Item no. (72) 2925

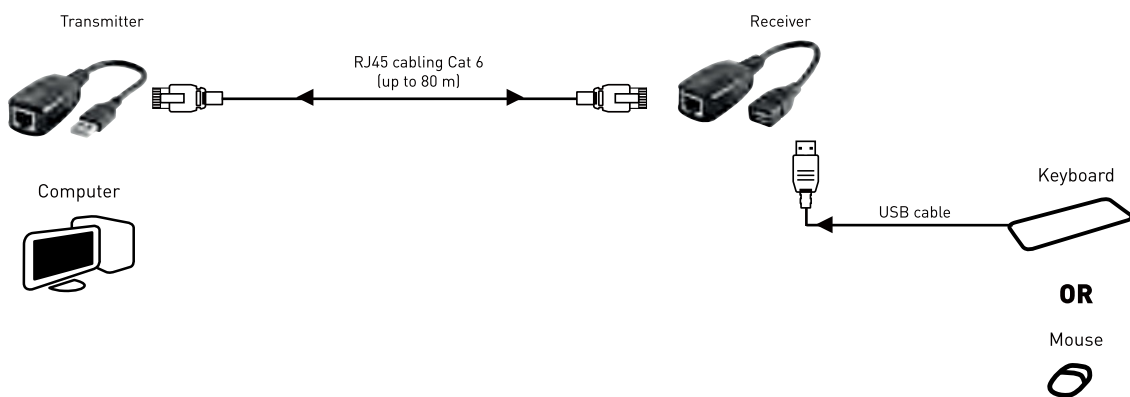


**RECOMMENDED
HARDWARE**



Item no. 2387
RJ45 cable Cat 6a
80 metres

Other lengths available
(see page 7)



BNC EXTENDER 2-PIN

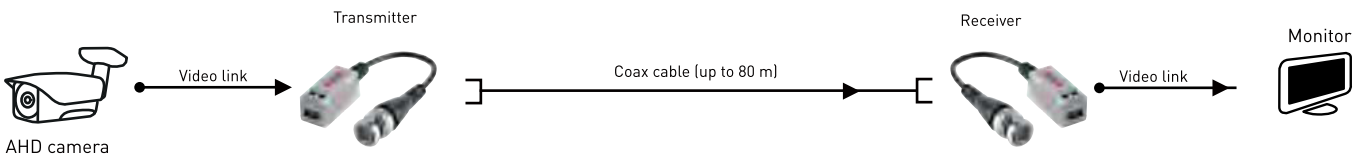
**Up to
80 m**



Transmitter
Input: BNC male
Output: 2-pin screw terminal block

Receiver
Input: 2-pin screw terminal block
Output: BNC male

Item no. [72] 7916



BNC EXTENDER + 12V POWER SUPPLY

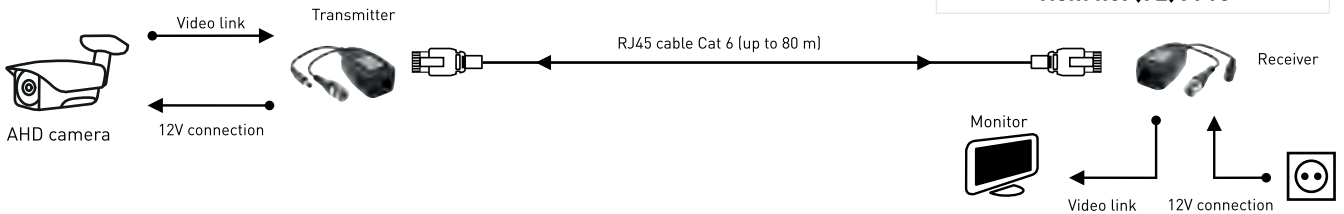
**Up to
80 m**



Transmitter (close to the camera)
Input: 1 BNC male
1 12V power supply male
Output: 1 RJ45 female
Surge protection function

Receiver (close to the display station)
Input: 1 RJ45 female
Output: 1 RCA male
1 12V power supply female
Surge protection function

Item no. [72] 7918



BNC EXTENDER + 12V POWER SUPPLY + AUDIO

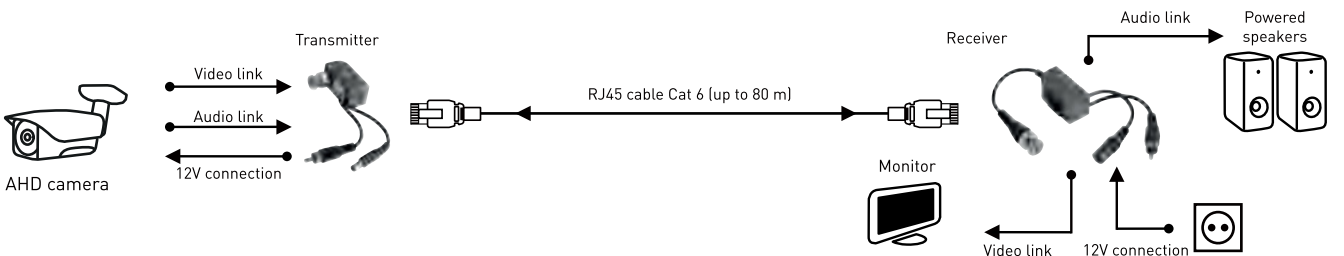
**Up to
80 m**



Transmitter (close to the camera)
Input: 1 BNC male
1 RCA male
1 12V power supply male
Output: 1 RJ45 female

Receiver (close to the display station)
Input: 1 RJ45 female
Output: 1 BNC male
1 RCA male
1 12V power supply female

Item no. [72] 7917





AHD to VGA + HDMI + YUV + RCA Video CONVERTER + AHD Bypass

Allows you to convert the image of an AHD video surveillance camera into 4 different video formats.

- Full HD 1080p
- AHD bypass
- Integrated scaler

Input: 1 BNC (format: AHD 720p@25/30/50/60 Hz, 1080p@25/30 Hz)

Output: 1 HDMI (720p@60 Hz, 1080p@60 Hz)
 1 VGA (1280×720@60 Hz, 1920×1080@60 Hz)
 1 YUV (720p@60 Hz, 1080p@60 Hz)
 1 RCA video (576i PAL, 480i NTSC)
 1 BNC bypass (format: AHD 720p@25/30/50/60 Hz, 1080p@25/30 Hz)

Selection button for 720p or 1080p scale function

Dim.: 180 × 80 × 25 mm
 Power supply included

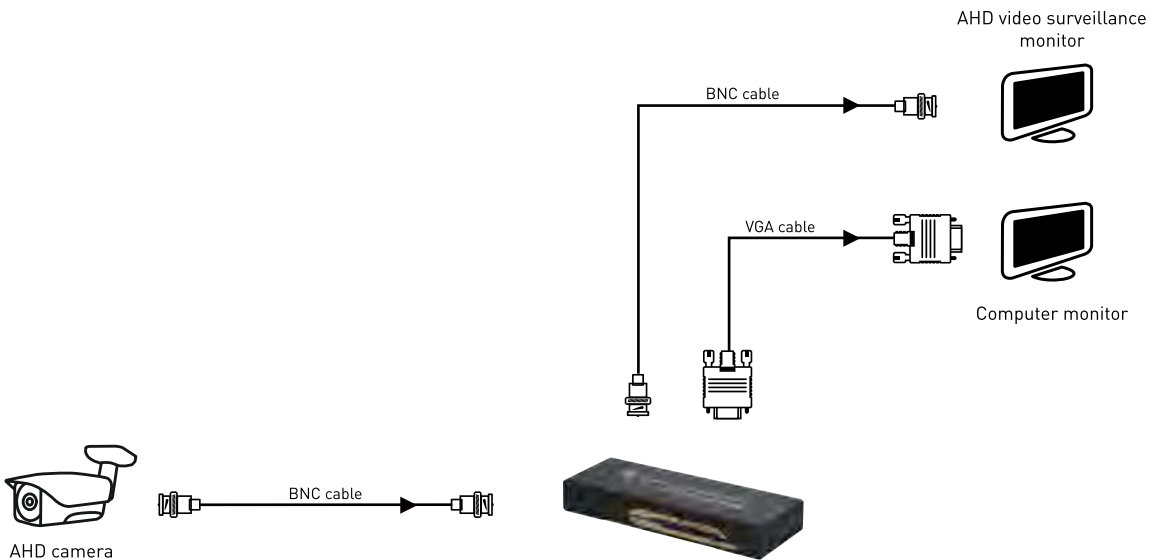
Item no. (72) 7940



Front view



Rear view



NEW AHD to HDMI CONVERTER + AHD BYPASS

Allows you to render the image of an AHD video surveillance camera on a TV screen equipped with an HDMI input in addition to the existing AHD connection.

- Full HD 1080p
- AHD bypass
- Integrated scaler

Input: 1 BNC (format: AHD 720p@25/30/50/60 Hz, 1080p@25/30 Hz)
 Output: 1 HDMI (720p@60 Hz, 1080p@60 Hz)
 1 BNC bypass (format: AHD 720p@25/30/50/60 Hz, 1080p@25/30 Hz)
 Selector for 720p or 1080p scale function
 Dim.: 95 × 85 × 25 mm
 Power supply included

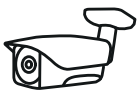
Item no. (72) 7941



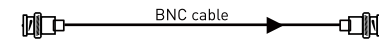
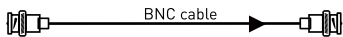
Front view



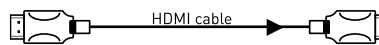
Rear view



AHD camera



AHD video surveillance monitor



Flat screen (LED, LCD or plasma)



NEW AHD 1 to 2

Doubles the video output of an AHD video surveillance camera.

ESD protection

Input: 1 BNC (format: AHD CVI/TVI 720p@25/30/50/60Hz, 1080p@25/30Hz)

Output: 2 BNC (format: AHD CVI/TVI 720p@25/30/50/60Hz, 1080p@25/30Hz)

Dim.: 95 × 85 × 25 mm
 Power supply included

Item no. (72) 7942



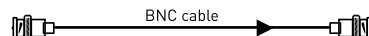
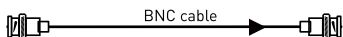
Front view



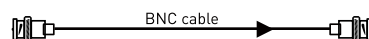
Rear view



AHD camera



AHD video surveillance monitors



HDMI to SDI CONVERTER

Allows you to connect an HD audio/video source to a video surveillance monitor equipped with an SDI input.

Format
SDI



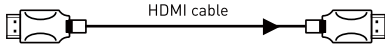
Rear view

Front view

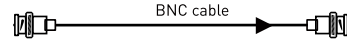
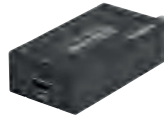
Input: 1 HDMI
Output: 1 BNC (48 KHz audio integrated)
Supported video resolutions: SDI (525i, 625i) / HD SDI (720p 50, 60Hz, 1080i 50, 60Hz, 1080p 24, 25, 30Hz) / 3G SDI (1080p 50, 60Hz)
3G-SDI frequency: from 270 Mbps to 2.97 Gbps
Dim.: 120 × 55 × 28 mm
Power supply included

Item no. (72) 7963

TV receiver /
pay-TV HD



HDMI cable



BNC cable

SDI video surveillance
station



SDI to HDMI CONVERTER

Allows you to connect a video surveillance camera to an HDTV screen without going through a video surveillance station with an SDI input.

Format
SDI



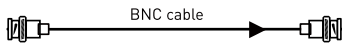
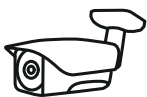
Rear view

Front view

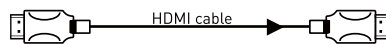
Input: 1 BNC
Output: 1 HDMI (48 KHz audio integrated)
Supported video resolutions: SD SDI (525i, 625i) / HD SDI (720p 50, 60Hz, 1080i 50, 60Hz, 1080p 24, 25, 30Hz) / 3G SDI (1080p 50, 60Hz)
3G-SDI frequency: from 270 Mbps to 2.97 Gbps
Dim.: 120 × 55 × 28 mm
Power supply included

Item no. (72) 7964

SDI camera



BNC cable



HDMI cable

Flat screen
(LED, LCD or plasma)



SDI to HDMI CONVERTER + SDI Bypass

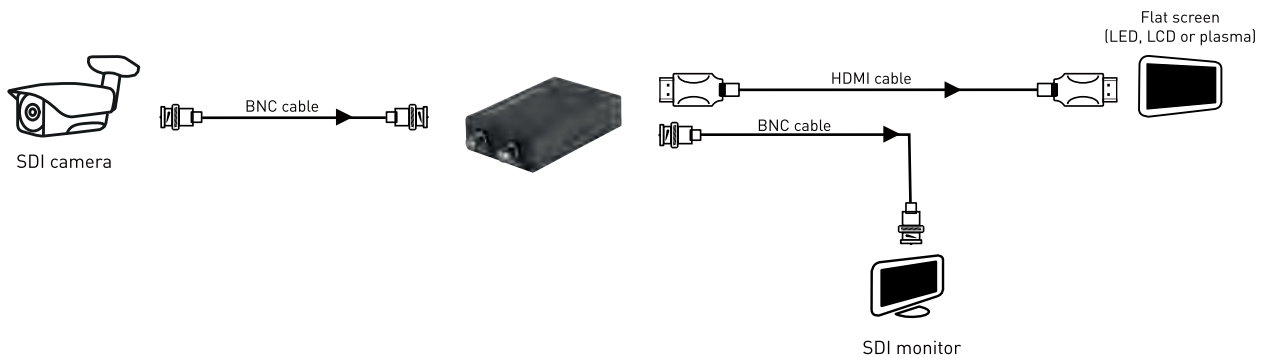
Allows you to render the image of an SDI video surveillance camera on a TV screen equipped with an HDMI input in addition to the existing SDI connection.

SD format



Input: 1 SDI (BNC male)
 Output: 1 HDMI female
 1 SDI bypass (BNC male)
 Supported video resolutions: SDI (525i, 625i) / HD SDI (720p 50, 60Hz, 1080i 50, 60Hz, 1080p 24, 25, 30Hz) / SDi (1080p 50, 60Hz)
 Frequency: up to 2.97Gbps
 Cascadable
 Dim.: 100 × 70 × 25 mm
 Power supply included

Item no. (72) 7969



BNC TO VGA CONVERTER

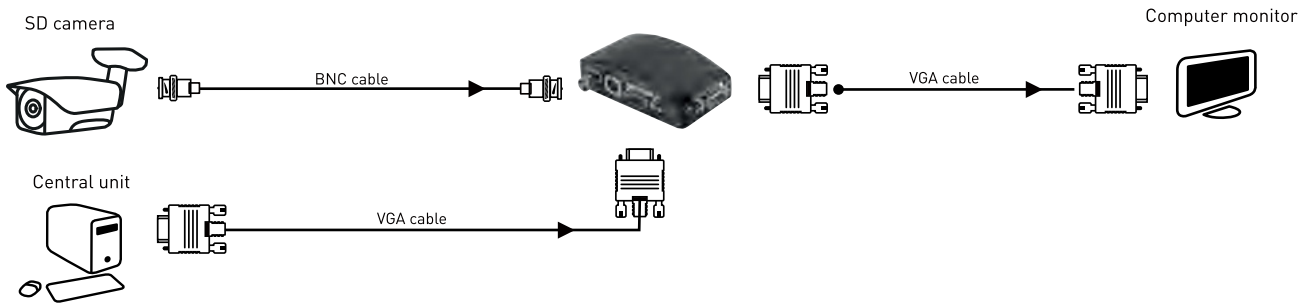
Connects a surveillance camera to a standard computer monitor (equipped with a VGA input).

Format SD



Input: 1 BNC
 vvc 1 VGA
 1 S-VHS
 (Manual selection)
 Output: 1 VGA
 Dim.: 80 × 50 × 25 mm
 Power supply included

Item no. (72) 7968



USB to RJ45 ETHERNET ADAPTER

Allows you to connect a laptop without RJ45 port to the Internet (network card emulator via the USB port).

1 Gbps



USB male to Ethernet female adapter
 Speed 10 / 100 / 1000 Mbps
 Self-powered
 Driver CD provided
 Compatible with Windows XP / 7 / 8,
 OS X 10.6 to 10.8, Linux

Item no. (72) 2475

RS-232 ADAPTER



RS-232 male / USB male adapter
 20 cm - Installation CD provided

Item no. (72) 2500

USB TYPE-C CONVERTERS

NEW



USB-C male to RJ45 female

0.15 m

Item no. (72) 2483



USB-C male to HDMI female

0.15 m

Item no. (72) 2480



USB-C male to VGA female

0.15 m

Item no. (72) 2482



USB-C male to 2 USB-A female +
 2 USB-C female

0.15 m

Item no. (72) 2484

DISPLAYPORT CONVERTERS

DisplayPort male / HDMI female
Gold-plated connectors - 15 cm

Item no. (72) 7810



DisplayPort male / DVI female
Gold-plated connectors - 15 cm

Item no. (72) 7808



DisplayPort male / VGA female
Gold-plated connectors - 15 cm

Item no. (72) 7809



MINI DISPLAYPORT CONVERTERS

Mini DisplayPort male / HDMI female
Gold-plated connectors - 15 cm

Item no. (72) 7811



Mini DisplayPort male / DVI female
Gold-plated connectors - 15 cm

Item no. (72) 7812



Mini DisplayPort male / VGA female
Gold-plated connectors - 15 cm

Item no. (72) 7813



Mini DisplayPort male /
HDMI female
+ DVI female
+ DisplayPort female
Gold-plated connectors - 15 cm

Item no. (72) 7814



HDMI to VGA CONVERTER



HDMI male / VGA female Gold-plated connectors Self-powered	
15 cm	Item no. (72)7966



HDMI to VGA CONVERTER / SCALER

Connects an audio-video source (HDMI output) to a computer monitor or video projector. Avoids any risk of conflicting resolutions between the source and the display.

**Integrated
scaler**

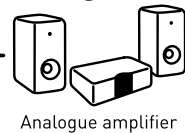
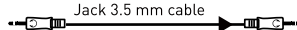
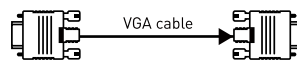
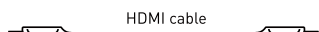


Rear view



Front view

Input: 1 HDMI
Output: 1 VGA 1 jack 3.5 mm
Up&Down scaler
7 possible input resolutions: 800×600 / 1024×768 / 1280×1024 / 480p / 576p / 720p / 1080p
9 adjustable output resolutions: 800×600 / 1024×768 / 1360×768 / 1440×900 / 1280×1024 / 1680×1050 / 1600×1200 / 1920×1080 / 1920×1200
Frequency: 165 MHz
Dim.: 120 × 85 × 28 mm
Power supply included
Item no. (72)7951



NEW **VGA to HDMI CONVERTER**



VGA male + USB male (5V power supply) / HDMI female (to be powered via the USB port of the computer)	
50 cm	Item no. (72) 7956



VGA to HDMI CONVERTER / SCALER

Allows you to stream the audio and video content from a computer peripheral (VGA + 1 jack 3.5 mm) on a flat screen (HDMI).
Avoids any risk of conflicting resolutions between the source and the display.

**Integrated
scaler**

**NEW
MODEL**

Input: 1 VGA (HD15) 1 jack 3.5 mm
Output: 1 HDMI (2 adjustable output resolutions: 720p or 1080p)
Dim.: 88 × 70 × 20 mm Power supply included
Item no. (72) 7952





HDMI 1080P or ULTRA HD 4K DOUBLER / SCALER

Allows you to duplicate an HDMI source with the option of upscaling a Full HD 1080p / 24 Hz resolution to Ultra HD 4K or of downscaling an Ultra HD 4K / 24 Hz resolution to Full HD 1080p on the "SCALED" output. The "BYPASS" output delivers the resolution of the HDMI source by default.

Ultra HD 4K **Integrated scaler**

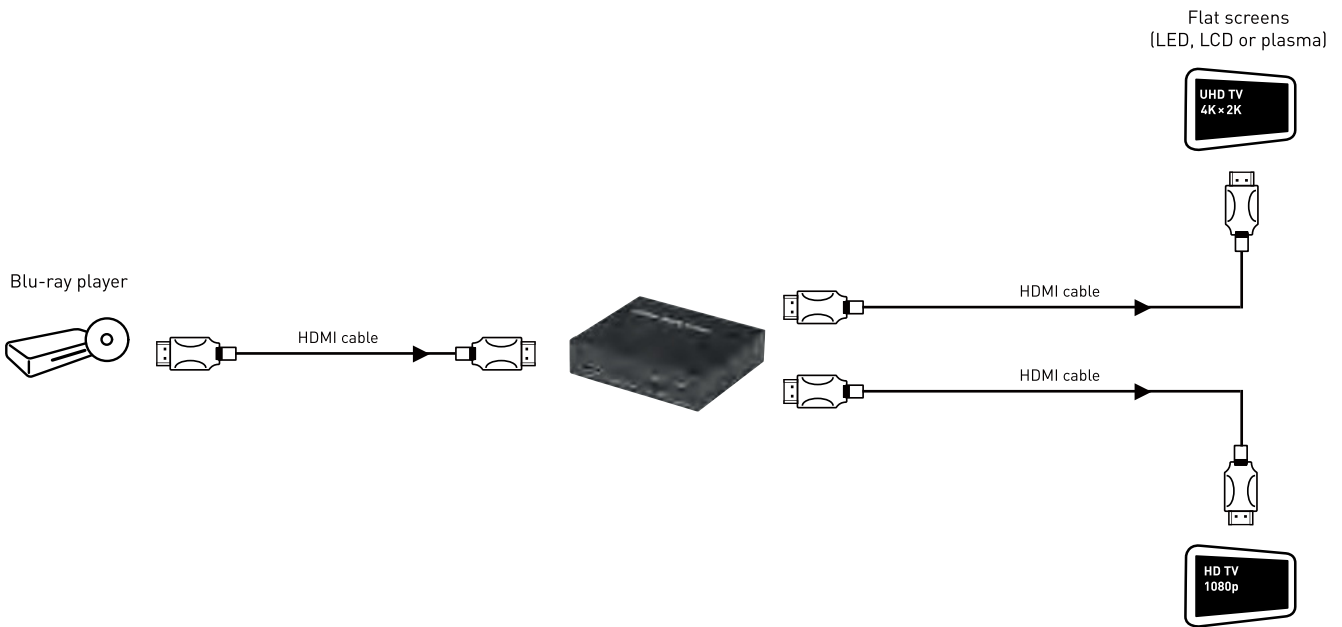
Input: 1 HDMI
Output: 1 HDMI (BYPASS) 1 adjustable HDMI (SCALED)
Amplified at 300 MHz Dim.: 95 × 80 × 25 mm Power supply included
Item no. (72) 6990



Front view



Rear view



NEW THREE RCA to HDMI COMPACT CONVERTER

Allows you to convert a three RCA analogue audio/video signal (576p) into a digital HDMI signal. The output resolution can be adjusted using the selector: 720p or 1080p.

Integrated scaler



Front view



Rear view

Input: 3 RCA
 Output: 1 HDMI
 (adjustable resolution: 720p/60 Hz or 1080p/60 Hz)
 PVC housing: 70 × 55 × 20 mm
 Power supply included

Item no. (72) 6621



SCART to HDMI UP-SCALER

Converts a SCART analogue audio/video signal (576p) into a digital HDMI signal. The output resolution can be adjusted using the selector: 720p or 1080p.

NEW MODEL



Rear view



Front view

Input: 1 SCART
 Output: 1 HDMI
 (2 adjustable output resolutions: 720p or 1080p)

Automatic sync
 25% gain in video resolution
 Adjustable frequency: 50 / 60 Hz (PAL / NTSC)
 Metal housing: 95 × 95 × 30 mm
 Power supply included

Item no. (72) 7847



NEW

HDMI to THREE RCA COMPACT CONVERTER

Allows you to connect a digital audio/video source with HDMI output to a TV screen or to an analogue monitor with only an analogue three RCA (576p) input.

Integrated
scaler



Front view

Rear view

Input: 1 HDMI
(compatible resolutions: 640×480@60Hz, 800×600@60Hz, 1024×768@60Hz, 1280×720@60Hz, 1280×1024@60Hz, 1360×768@60Hz, 1600×1200@60Hz, 1920×1080@60Hz, 480i/60Hz, 480p/60Hz, 576i/60Hz, 576p/60Hz, 720p/50-60Hz, 1080i/50-60Hz, 1080p/50-60Hz)

Output: 3 RCA
(PAL / NTSC selector)

PVC housing: 70 × 55 × 20 mm
Power supply included

Item no. (72) 6622



HDMI to THREE RCA DOWN-SCALER

Allows you to connect a digital audio/video source (HDMI 1080p) to an analogue screen with only a three RCA audio/video (576p) input.



Rear view

Front view

Input: 1 HDMI
Output: 3 RCA audio/video

PAL / NTSC selector
Metal housing: 120 × 85 × 28 mm
Power supply included

Item no. (72) 7965



HDMI AUDIO EXTRACTOR

Allows you to extract the audio from an HDMI connection to simultaneously connect an SD audio device and an HD audio device to a single HD audio/video player.

**Full HD
1080p**



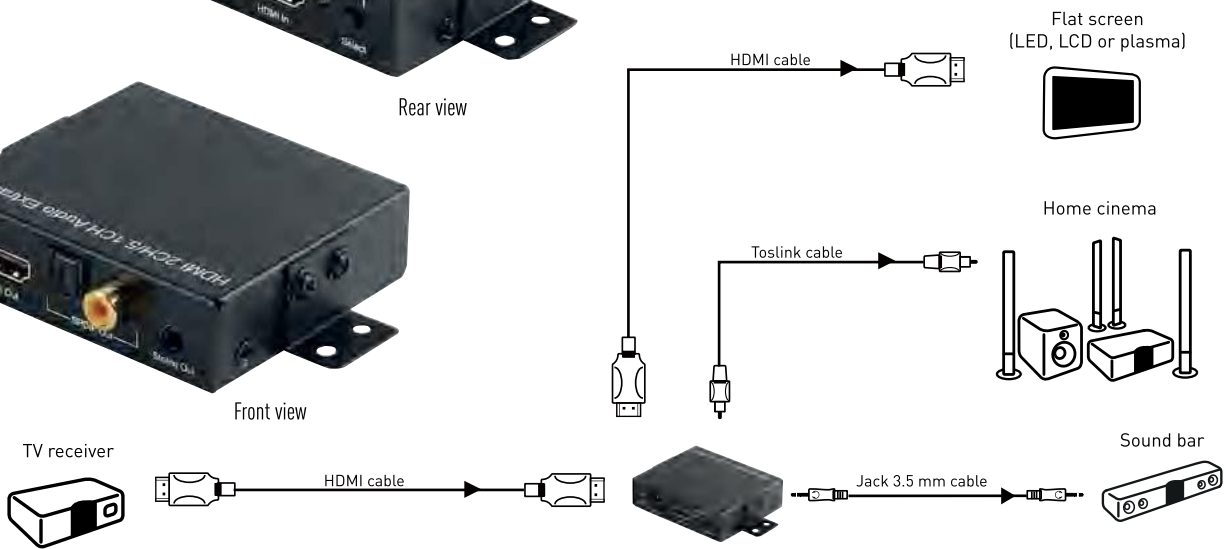
Rear view



Front view

Input: 1 HDMI
Output: 1 HDMI
1 Toslink
1 RCA coaxial SPDIF
1 stereo jack 3.5 mm
2CH / 5.1CH selector
Integrated amplifier
Power and fasteners supplied

Item no. (72) 1911



TOSLINK to TWO RCA CONVERTER



Rear view



Front view

Input: 1 Toslink
1 RCA coaxial
Output: 2 RCA stereo
Gold-plated connectors
Sample rate: 24 bit
Frequency: up to 192 KHz
Power supply included

Item no. (72) 1905

TWO RCA to TOSLINK CONVERTER



Rear view



Front view

Input: 2 RCA stereo
Output: 1 Toslink
1 RCA coaxial
Gold-plated connectors
Sample rate: 24 bit
Frequency: up to 192 KHz
Power supply included

Item no. (72) 1907

INFRARED BENDER for 6 devices

Allows you to control up to six devices installed in a closed cabinet.

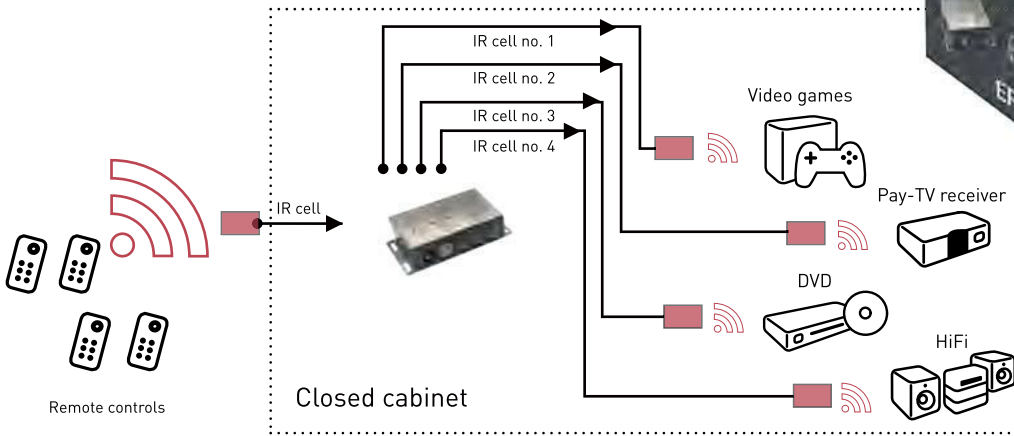
Compatible with Pay-TV



- 1 metal housing
- 1 receiving cell
- 6 re-emitting cells (with adhesive tape)
- Ultra-wide infrared frequency: 30 - 60 KHz
- Power supply included

Item no. [72] 6984

NEW MODEL



REMOTE CONTROL TRANSFER via HDMI CABLE

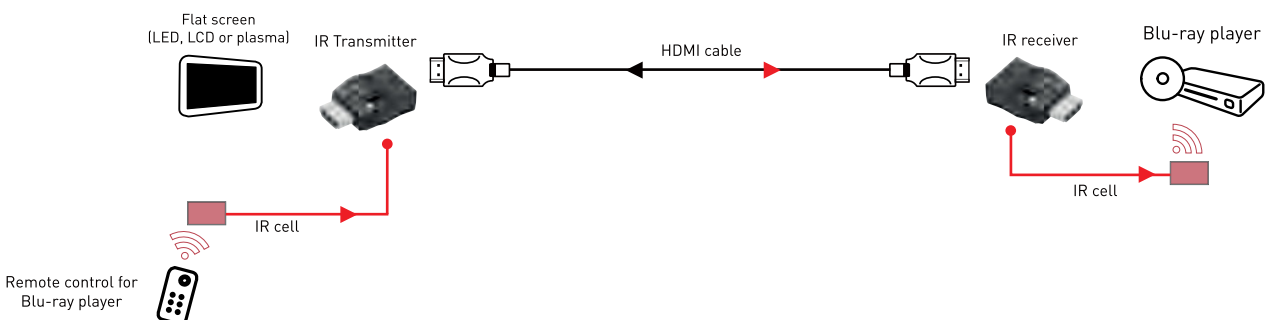
Allows you to control a digital audio/video source remotely. The infrared signal from the remote control of the source is transmitted via the HDMI cable that connects the source to the display.



- 1 HDMI Transmitter male / HDMI female with infrared cell - 1.50 m (to be connected upstream of the HDMI cable = on the TV screen or the video projector)
- + 1 HDMI receiver female / HDMI female with infrared cell - 1.50 m (to be connected downstream of the HDMI cable = on the source)

Gold-plated connectors
Self-powered

Item no. [72] 7979



WIRELESS REMOTE CONTROL EXTENDER 30 to 60 KHz

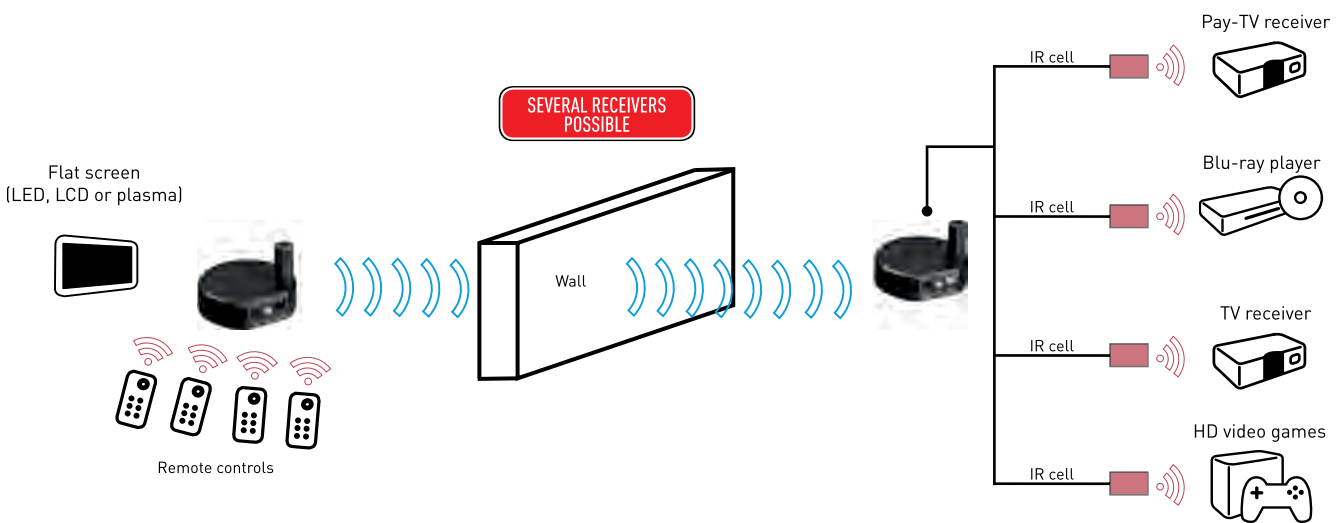
Allows you to control up to four devices located in a different room to the one the display is in (flat screen or video projector).

Compatible with Pay-TV

NEW MODEL

- 1 transmitter
- 1 receiver
- 1 receiving infrared cell
- 4 re-emitting infrared cells
- Ultra-wide infrared frequency: 30 - 60 KHz
- Max. range: 100 m
- Passes through standard thickness walls
- Power supply included

Item no. (72) 6986



HDMI EXTENDER 3 to 1 via PLC + HDMI Bypass

Allows you to transfer up to three HD audio/video sources and one Internet connection simultaneously, using the existing electrical network of a building: the two devices (transmitter and receiver) connect directly to 230V power outlets (two cables supplied).

Full HD
1080p

Remote
control
transfer



Transmitter - Rear view



Transmitter - Front view



Receiver - Rear view



Receiver - Front view

1 transmitter
Input: 3 HDMI (remote selection possible via remote control transfer)
1 RJ45
1 IR jack
Output: 1 IEC power socket (230V mains)
1 HDMI bypass
1 IR jack
Dim.: 290 × 118 × 45 mm

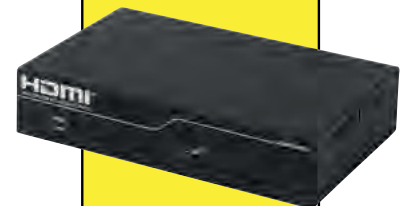
1 receiver
Input: 1 IEC power socket (230V mains)
1 IR jack
Output: 1 HDMI
1 RJ45
1 IR jack
Dim.: 195 × 118 × 45 mm

Video resolution: up to 1080p
Audio resolution: PCM / 2 channels (48 KHz) / 16 bit
Remote control transfer function: 2 IR cells provided (36 to 56 KHz)
8 languages to choose from
Automatic pairing
Up to 4 paired receivers can be added to the same transmitter
Remote control and power supply provided

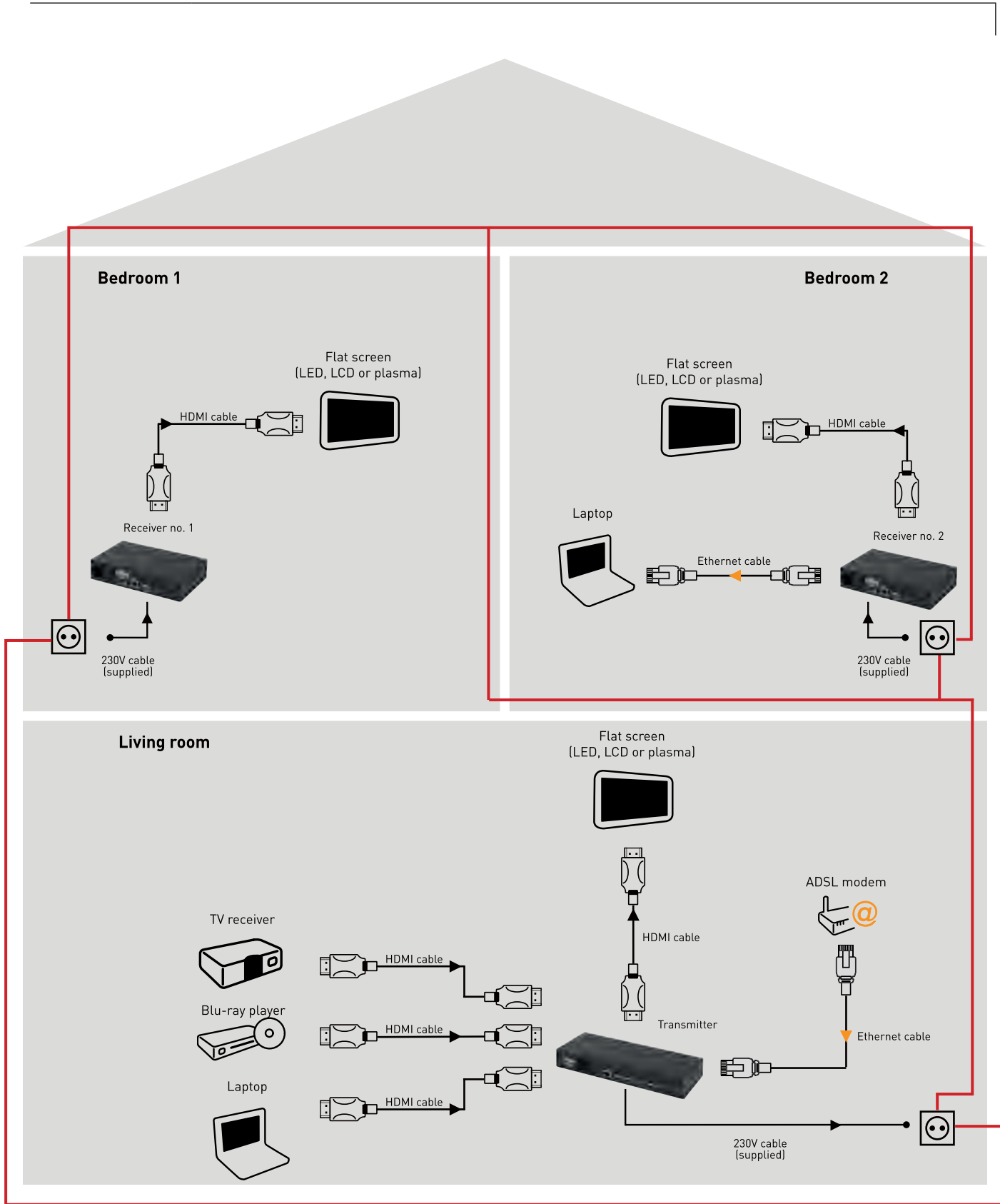
Item no. (72) 2913



RECOMMENDED
HARDWARE
(OPTIONAL)



Receiver only
Item no. (72) 2914



230V power outlet



230V power grid

THREE RCA to COFDM MODULATOR - SD 576p

Allows you to stream an SD audio/video source on a terrestrial channel in a coaxial installation thanks to a re-encoding to DVB-T (MPEG-4 / H264).
A simple scan of the channels helps find the playback source installed upstream in the same way as a French TNT channel.

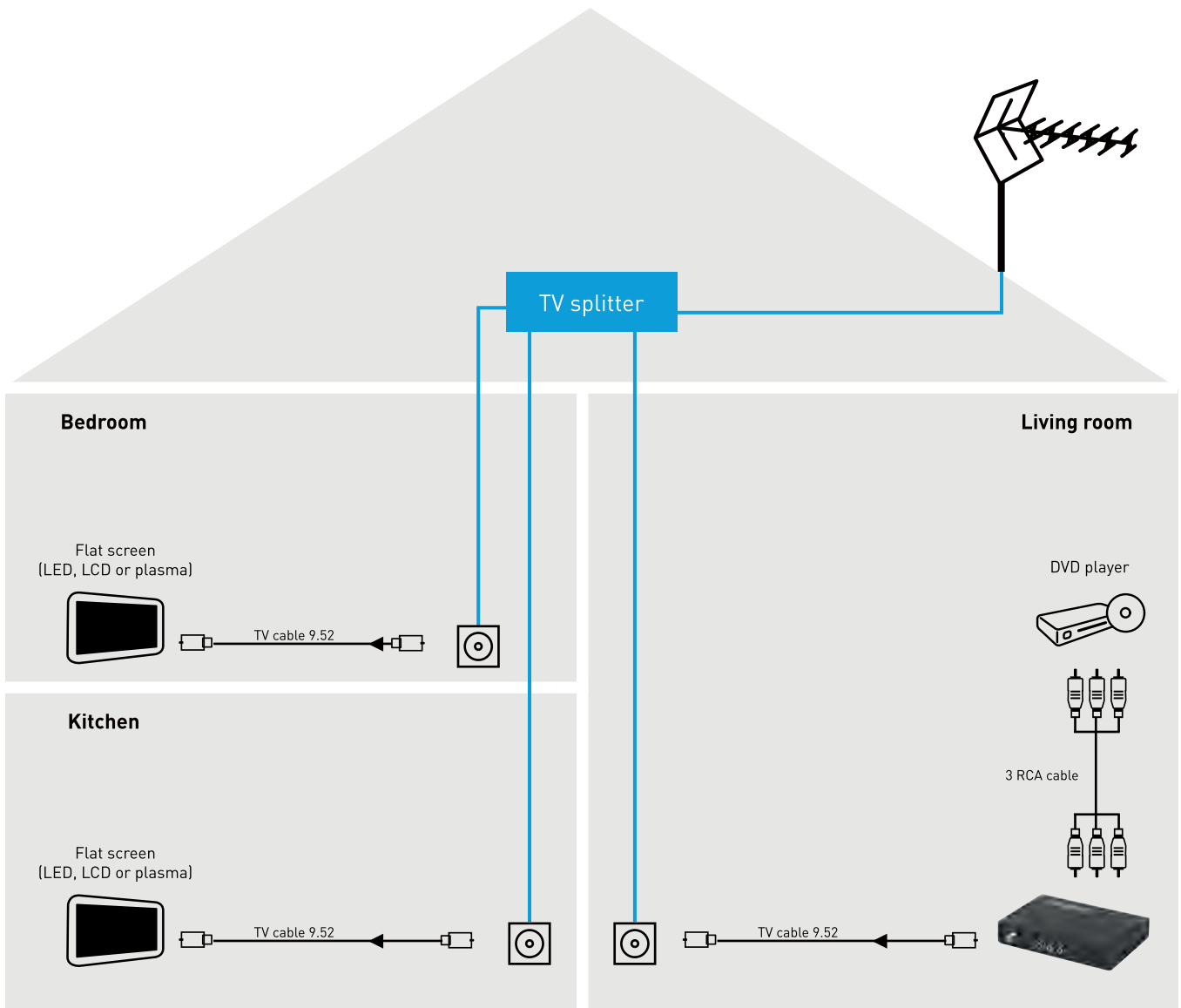


Input: 3 RCA
Output: 1 DVB-T ("F" connector female - 75 Ohm)

Max. video resolution: 576p
Audio resolution: MPEG 2 / AAC (192 to 384 Kbit/s)
MER: 32 dB
Output level: 100 dBuV
Attenuation per level: 1 dB
Adjustable output gain: from -10 to 5 dB
Modulation standard: DVB-T (ETSI EN 300 744)
Adjustable bandwidth: 6 / 7 / 8 MHz
Constellation: QPSK, 16QAM, 64QAM
32-character LCD display

Dim.: 234 × 204 × 44 mm
Power supply included

Item no. (72) 4926



TV wall socket 9.52 mm



Coaxial terrestrial network 75 Ohm

HDMI to COFDM MODULATOR - HD 1080i

Allows you to stream an HD audio/video source on a terrestrial channel in a coaxial installation thanks to a re-encoding to DVB-T (MPEG-4 / H264).
A simple scan of the channels helps find the playback source installed upstream in the same way as a French TNT channel.

**HDMI
bypass**

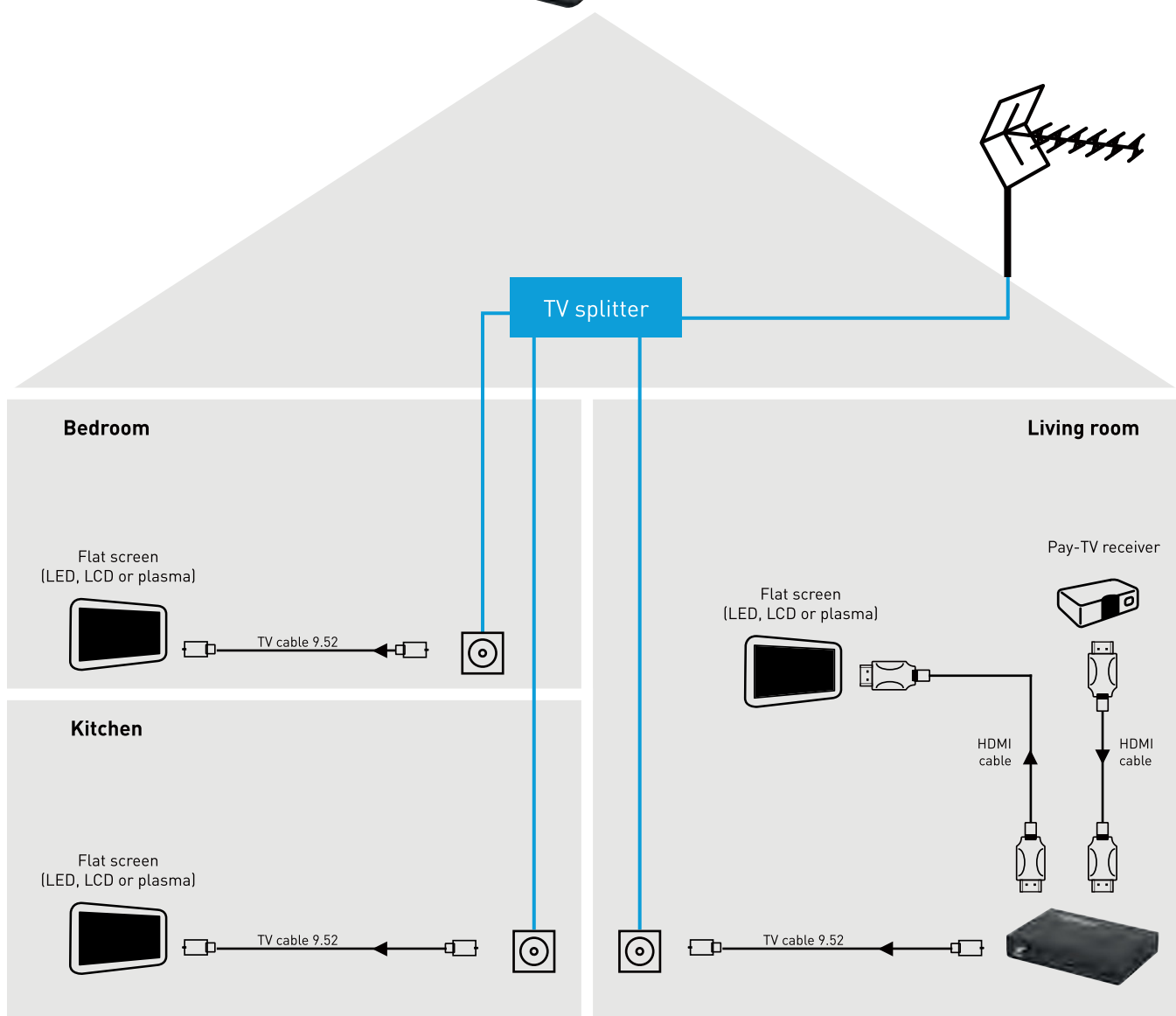


Input: 1 HDMI
Output: 1 DVB-T ("F" connector female - 75 Ohm)
1 HDMI bypass

Max. video resolution: 1080i
Audio resolution: MPEG 2 / AAC (192 to 384 Kbit/s)
MER: 32 dB
Output level: 100 dBuV
Attenuation per level: 1 dB
Adjustable output gain: from -10 to 5 dB
Modulation standard: DVB-T (ETSI EN 300 744)
Adjustable bandwidth: 6 / 7 / 8 MHz
Constellation: QPSK, 16QAM, 64QAM
32-character LCD display

Dim.: 234 × 204 × 44 mm
Power supply included

Item no. (72) 4927



TV wall socket 9.52 mm



Coaxial terrestrial network 75 Ohm

NEW

USB CHARGING STATION - 10 PORTS (72W)

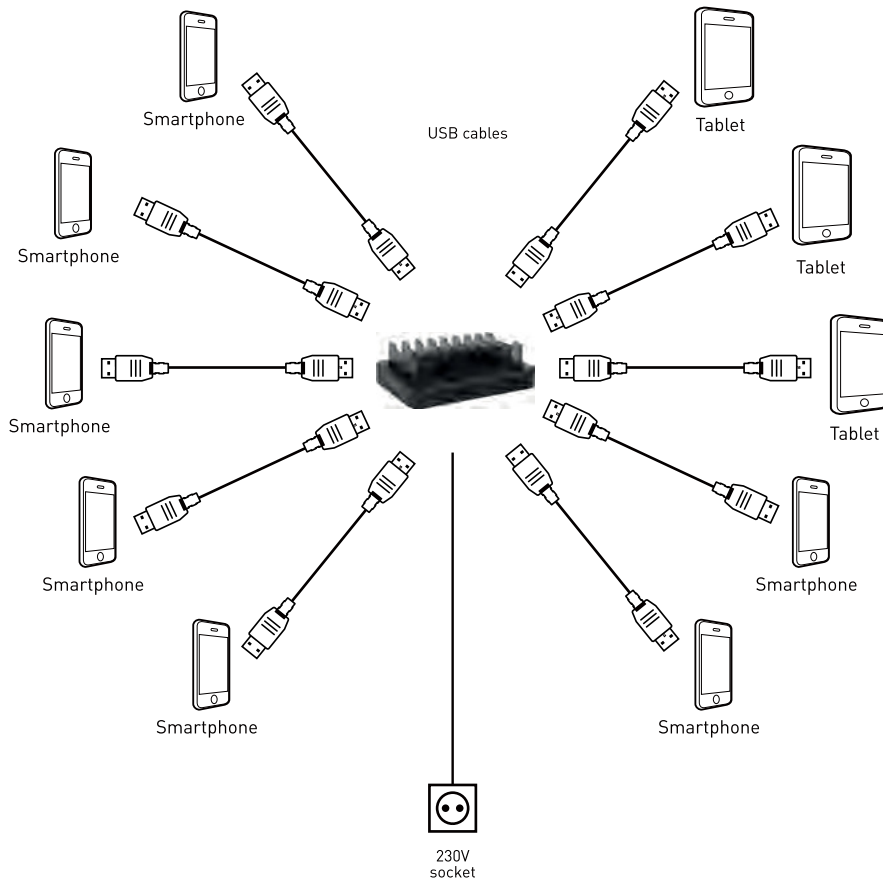
Allows you to simultaneously charge up to 10 mobile devices (smartphones and tablets).
Ideal for meeting rooms: each employee has easy access to one central point of charge.

**ESD
protection**

Input: 10 USB 5 V ports
6 × USB 5 V 1 A
4 × USB 5 V 2.4 A
(Max. total of 13.2A simultaneously)

ESD protection
Dim.: 210 × 140 × 65 mm
Power supply included

Item no. (72) 8910





2 YEAR WARRANTY

All products in our offer have a two year warranty.



A RANGE OF PRIVATE-LABEL CONNECTORS

Creation of a collection of customized connectors and own brand in two steps

- Product selection: compilation of your offer on the basis of the Erard Connect catalogue with possibility of expanding it. You benefit from our upstream (product sourcing) and downstream expertise (market knowledge).
- Product presentation: we realise the "blister bottom parts" by applying your graphic charter to all the products of your referencing. Our scope of services may also include the creation of your assortment's graphic identity. This service is provided by our Marketing and Design departments.



Mounting systems for antennas
and satellite dishes catalogue



Mounts and furniture for
flat TV screens catalogue



ERARD Pro catalogue



Connection systems -
Consumer Electronics
solutions catalogue



**CUSTOMER SERVICE
FOR ORDER TRACKING**

Phone: +33 472 461626
Fax: +33 472 461622
E-MAIL: infos@erard.fr

**TECHNICAL SERVICE
FOR PRODUCT ADVICE**

Phone: +33 251 510297
Fax: +33 251 691670
E-MAIL: info@erardconnect.fr

Some of the products shown in this catalogue may not be available at the time of order,
please contact us for any specific requests – Information on products and their features may be updated to take into account ongoing production improvements.
Graphic design: avec1e communication – Lyon – Photographers: Thierry Ravassod - Magicworld / Daniel Renaud / Fotolia.com
Non-contractual photographs – Subject to typographical errors – September 2016 Edition – Reproduction prohibited.

ERARD CONNECT / E-mail: INFO@ERARDCONNECT.FR / Phone: +33 251 510297 / Fax: +33 251 691670 / WWW.ERARD.COM

S.A.S with capital of 38 112.25 € / SIRET 403 591 415 000 19 / APE code 2732Z / R.C.S of Roche sur Yon / Intra-community VAT number: FR 81 403 591 415
Z.I. Rue du Moulin Fradet / 85200 Fontenay le Comte / FRANCE